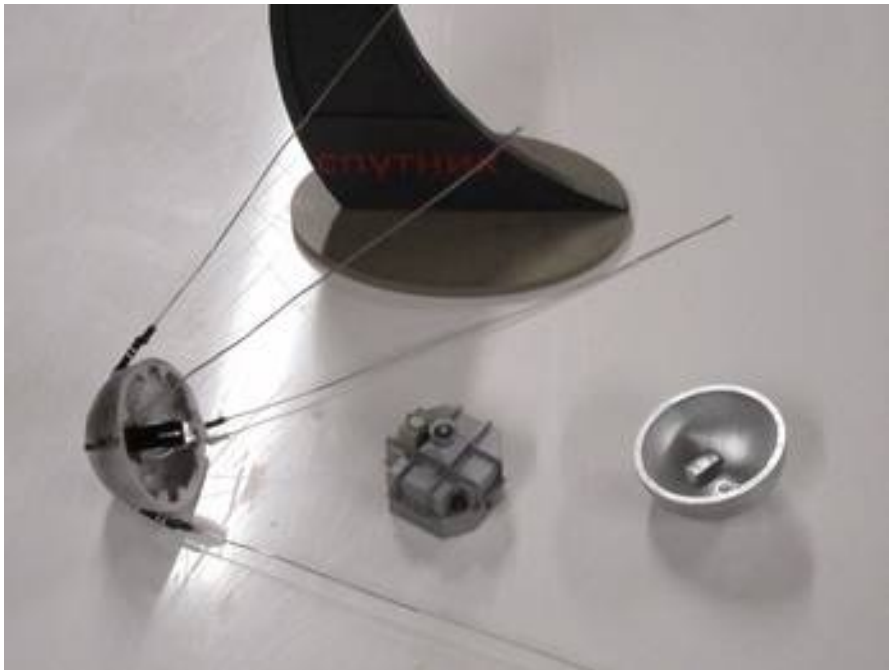


SPUTNIK 1/12th scale model assembly instructions

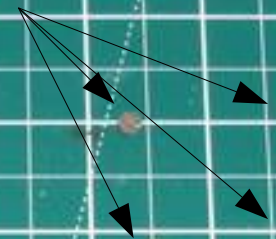


CHRONIC3D.COM



01

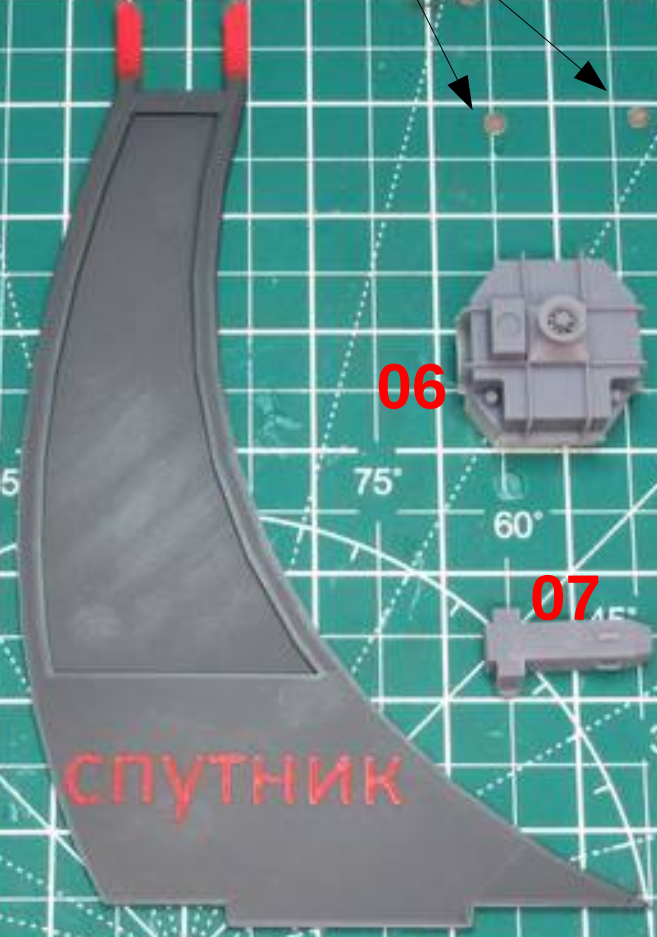
Magnet x4
Dia 5mm x 1 mm



04



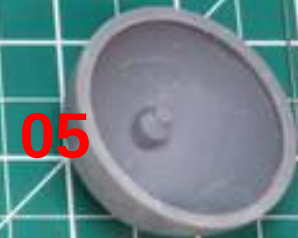
02



03



06



05



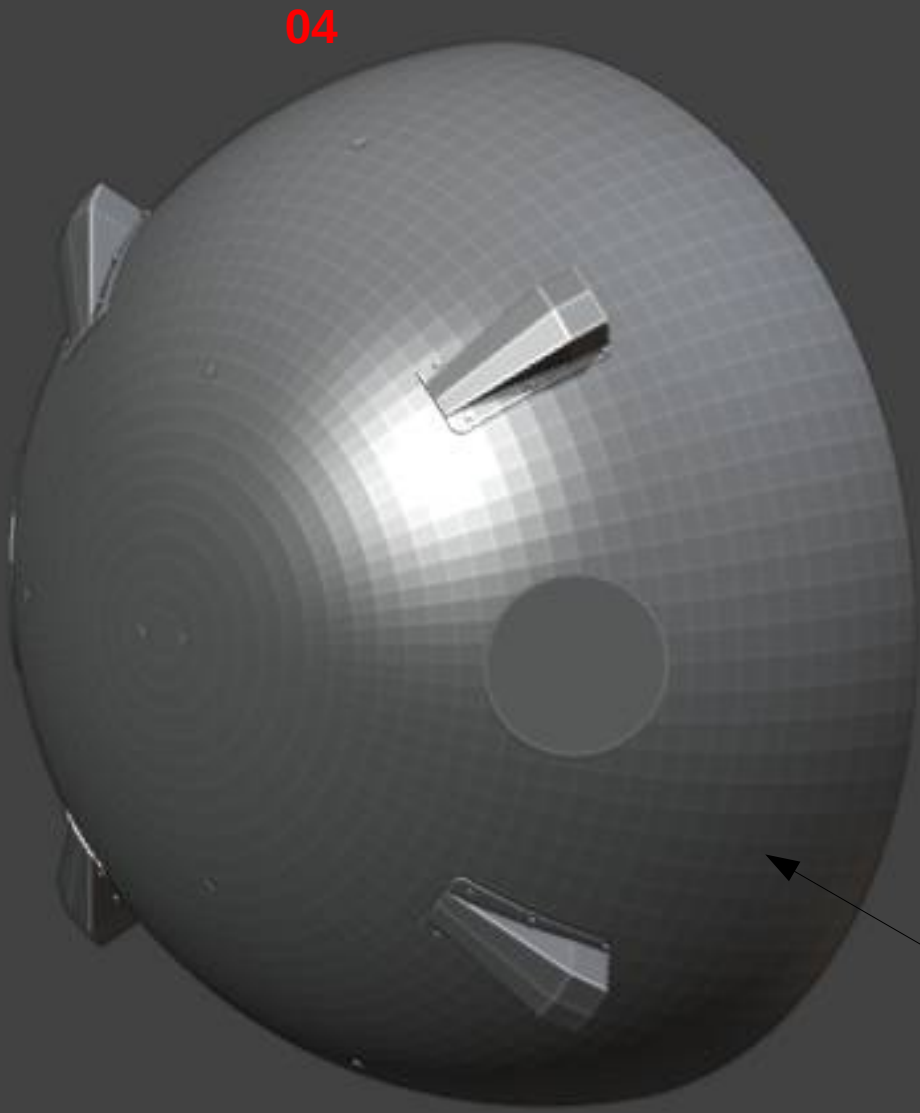
07



08x4

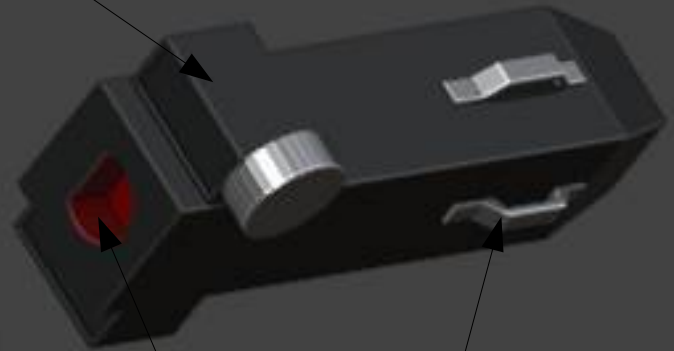
Wire x4
0,5 mm x 210 mm





black

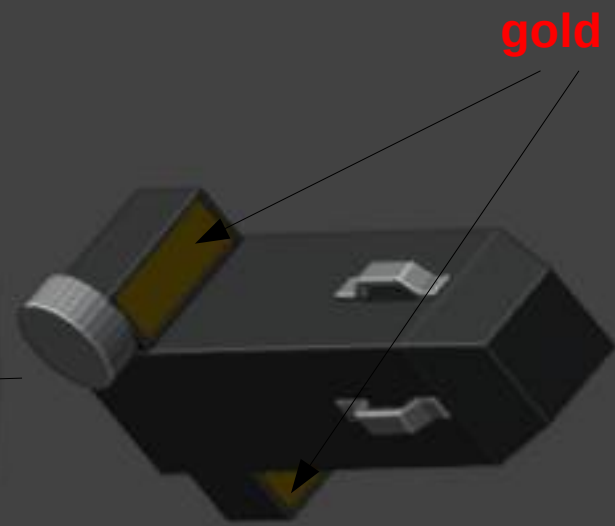
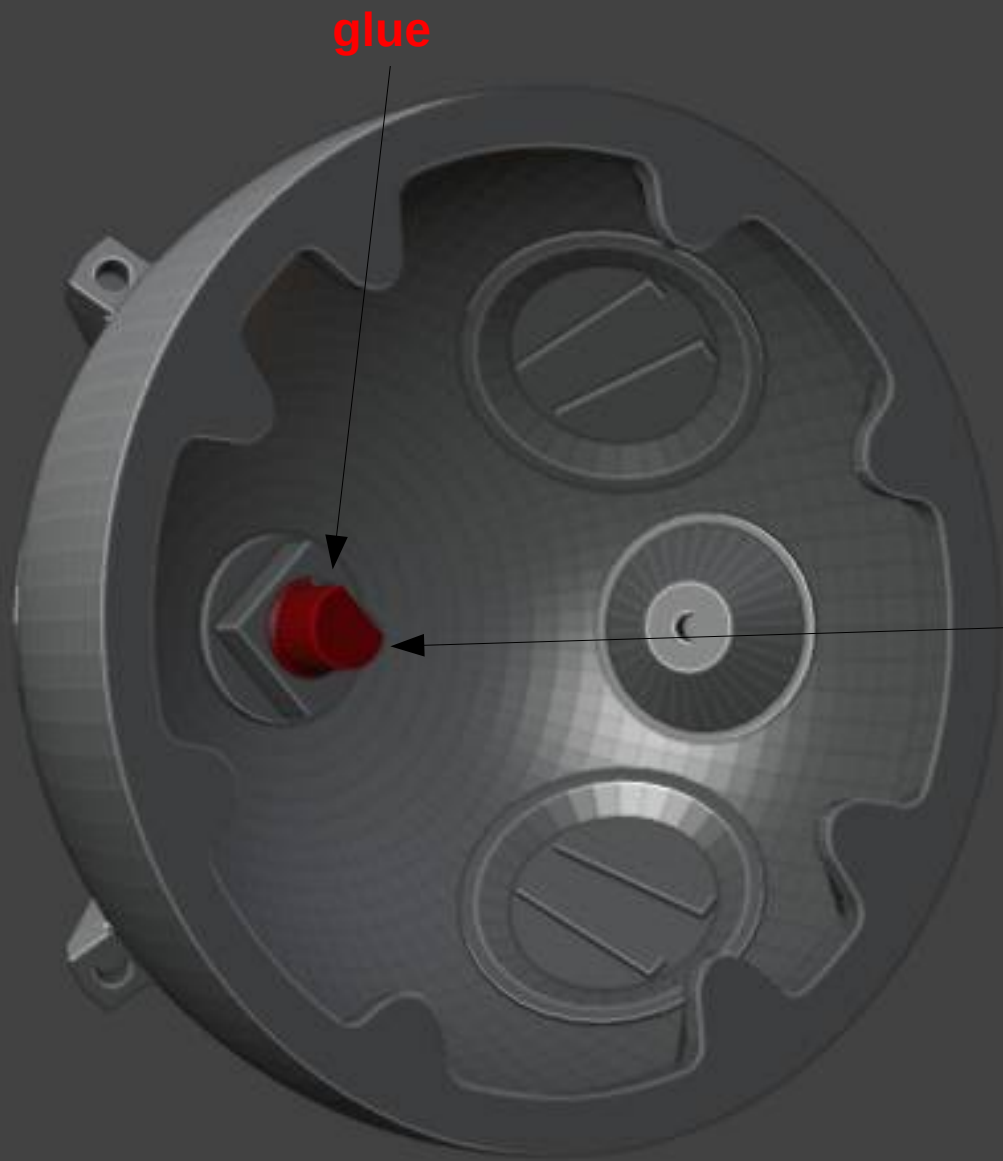
07



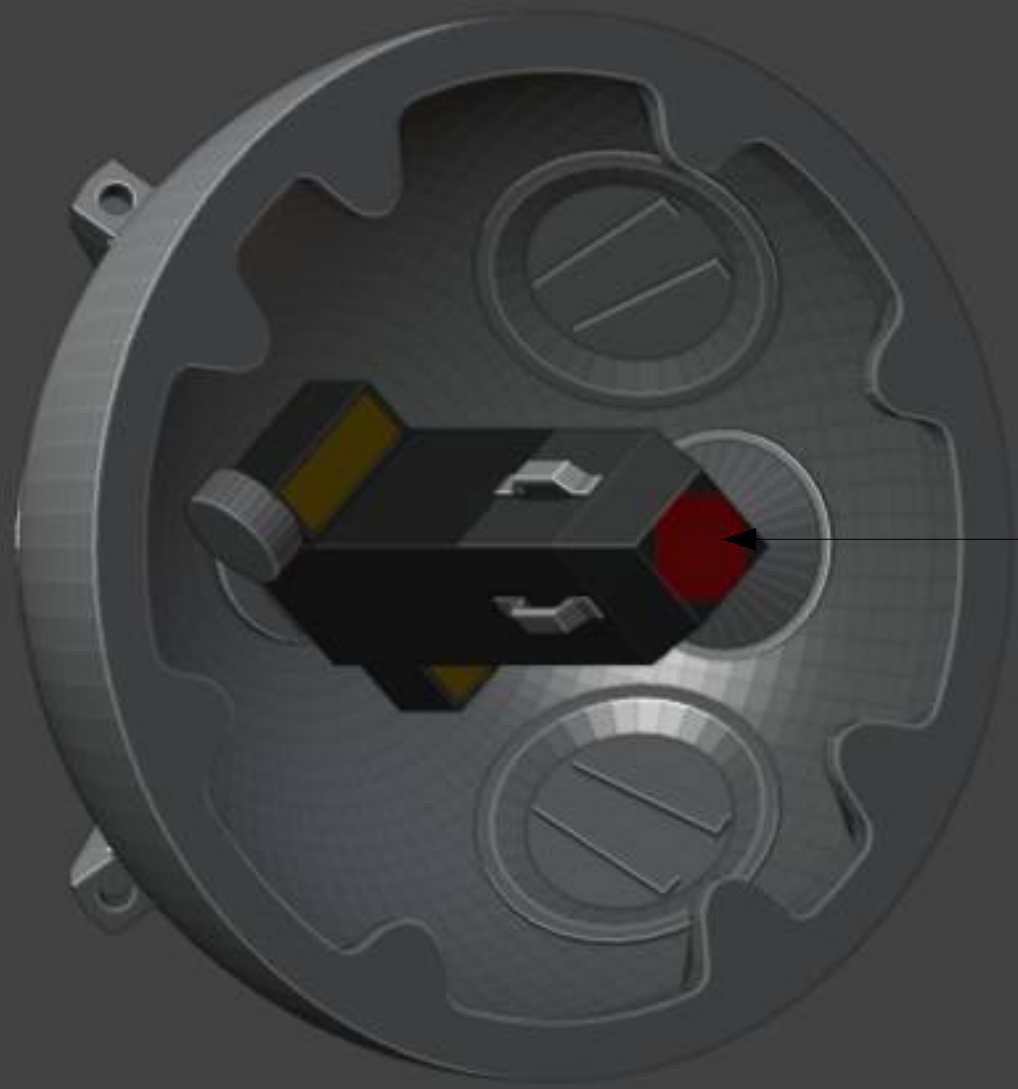
glue

silver









Magnet d5x1

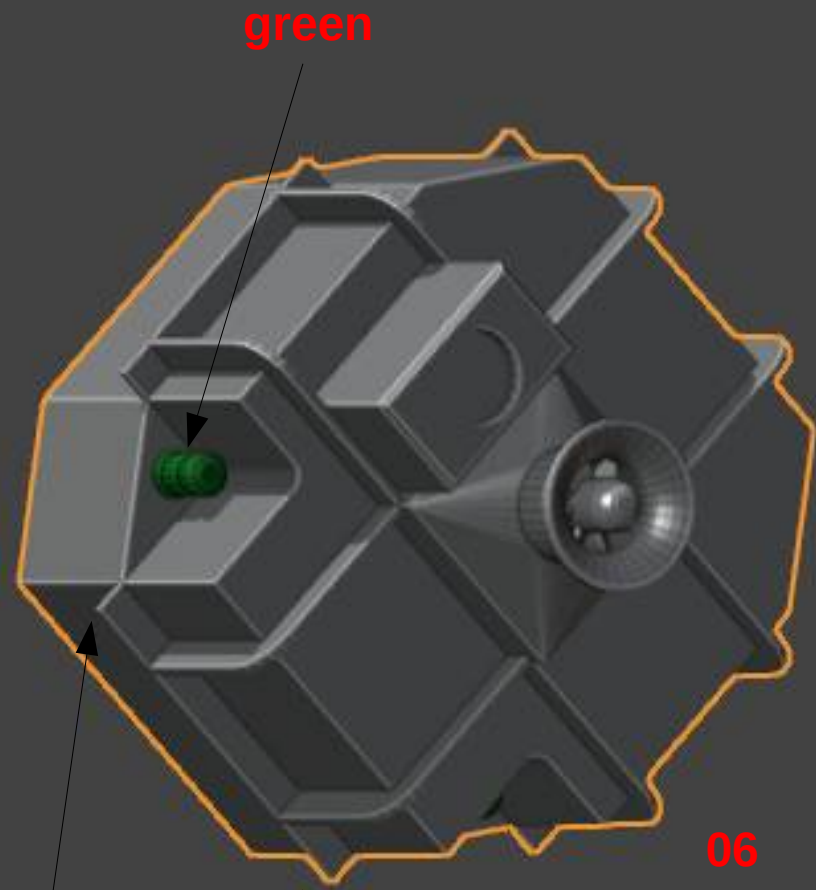




2nd magnet d5x1



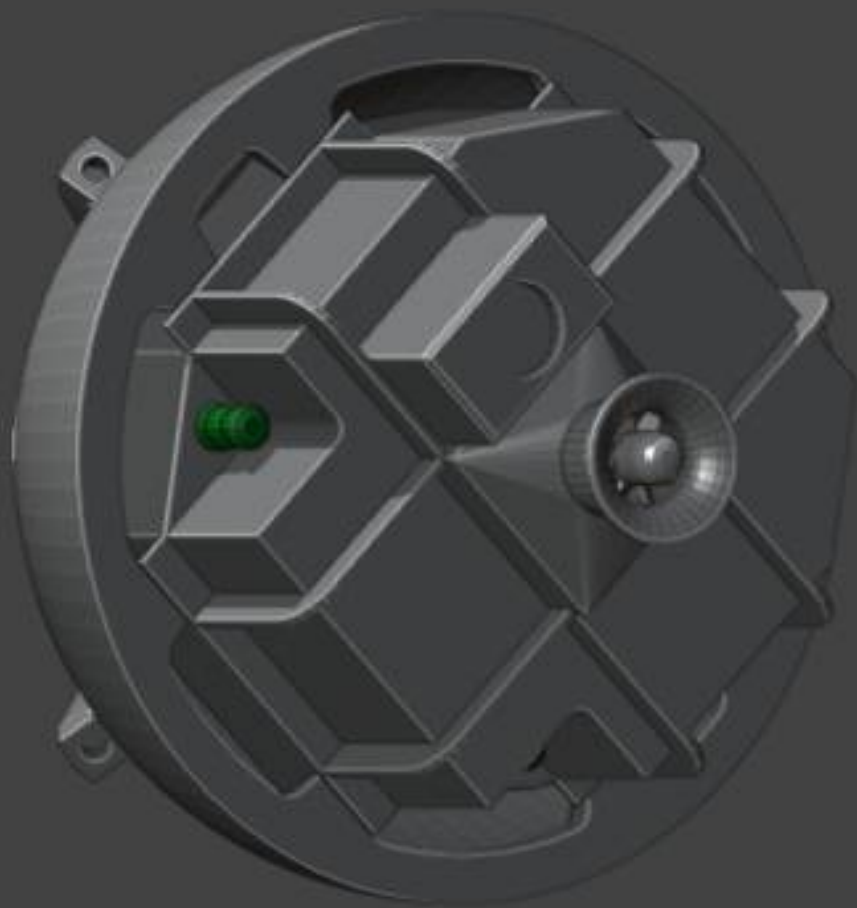
Glue drop on 2nd magnet



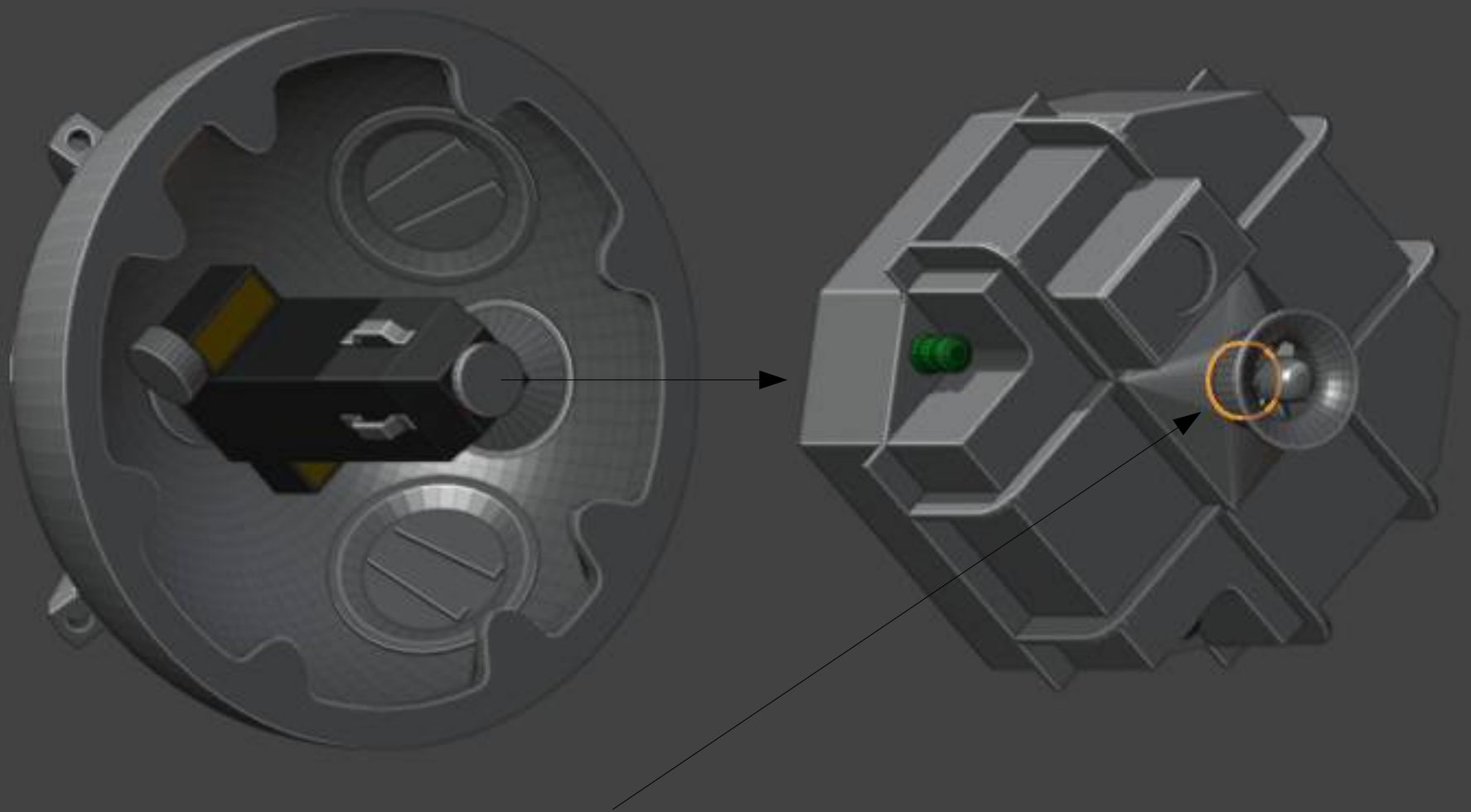
green

06

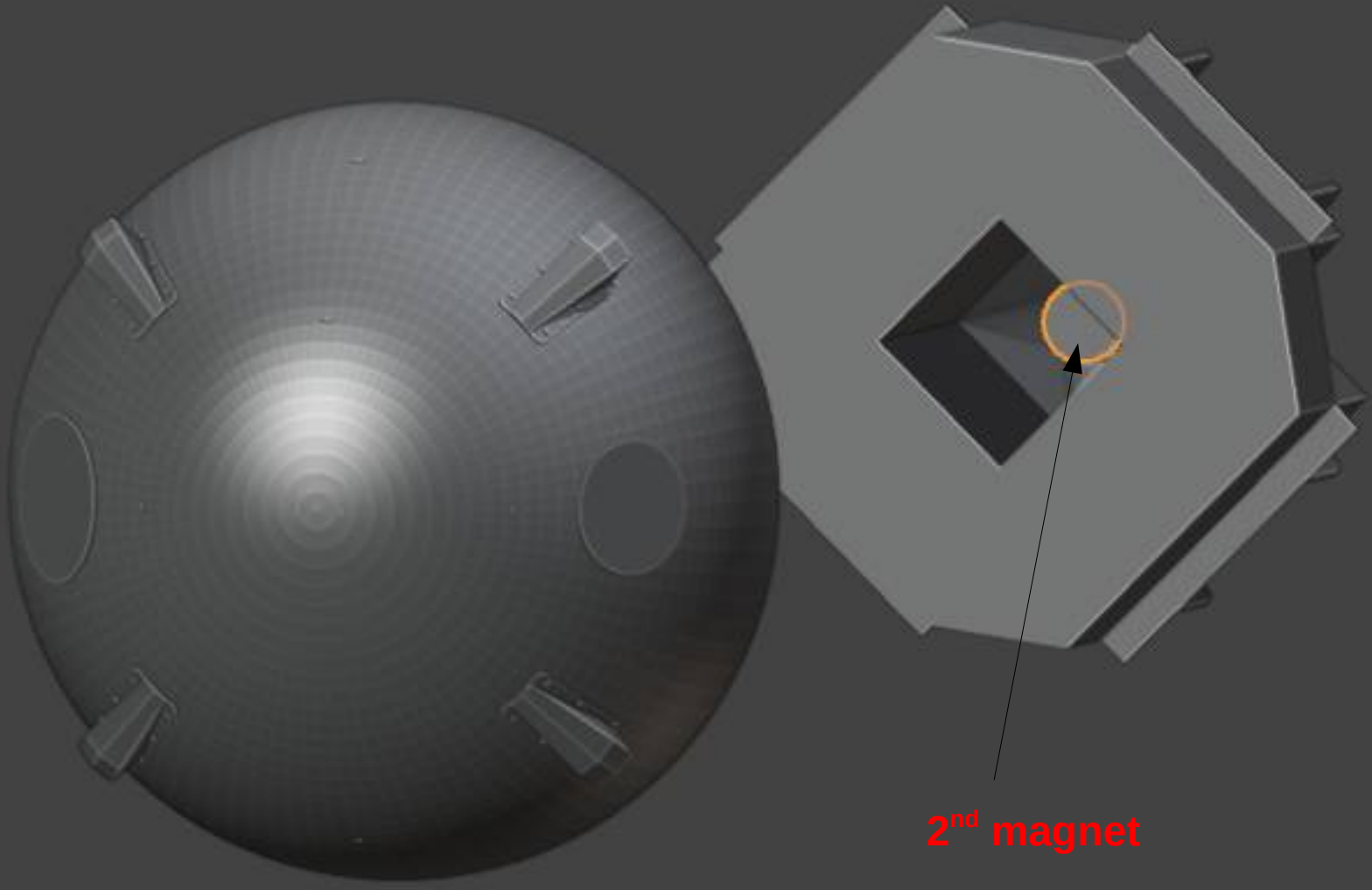
Locate the orientation



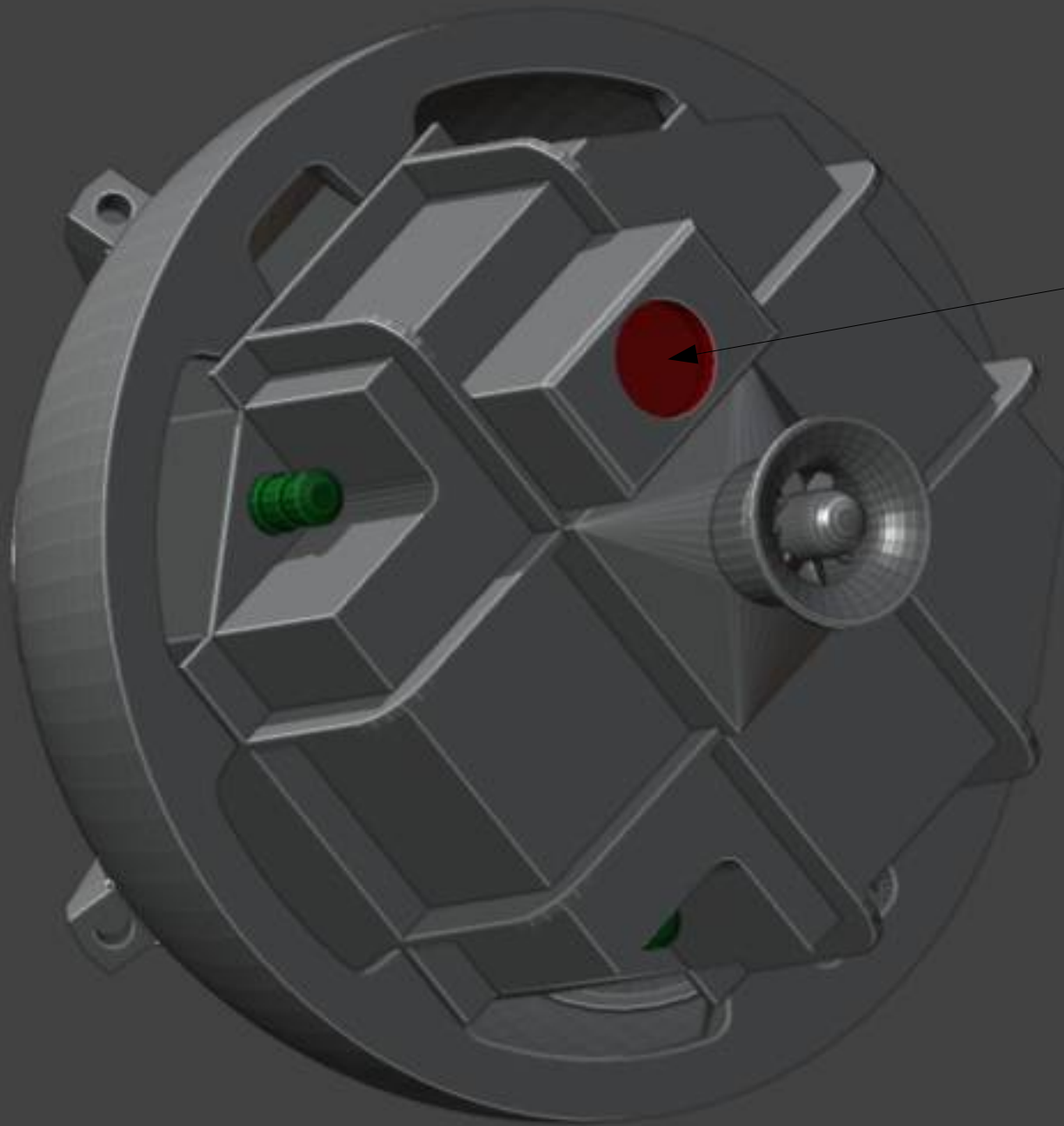
Wait for the glue to dry



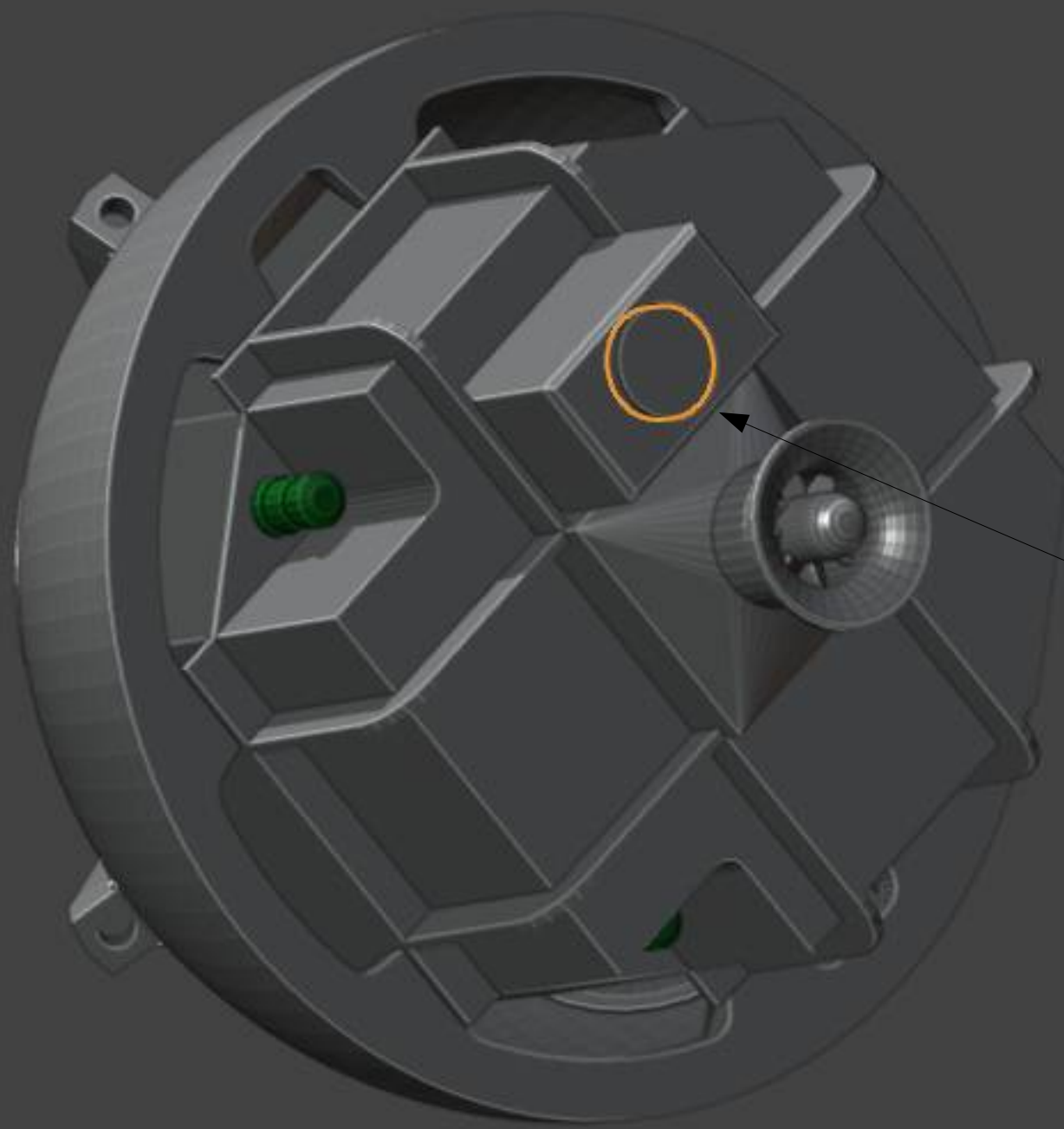
After separation, the second magnet must remain stuck to the battery



2nd magnet



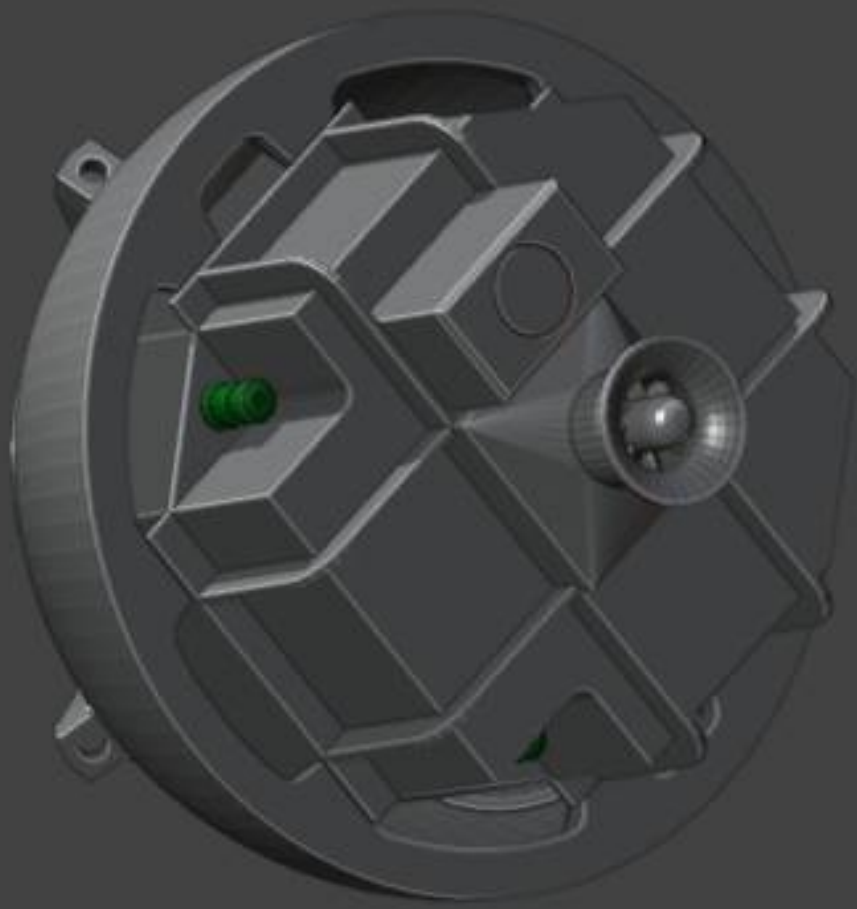
3rd magnet d5x1



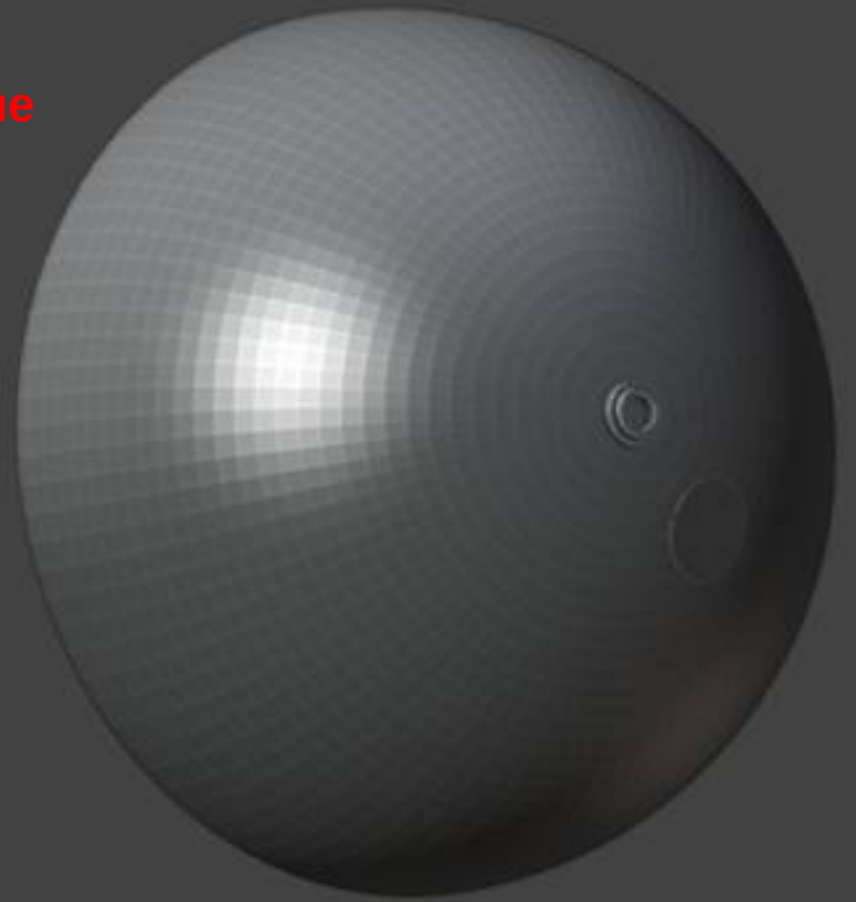
4th magnet d5x1



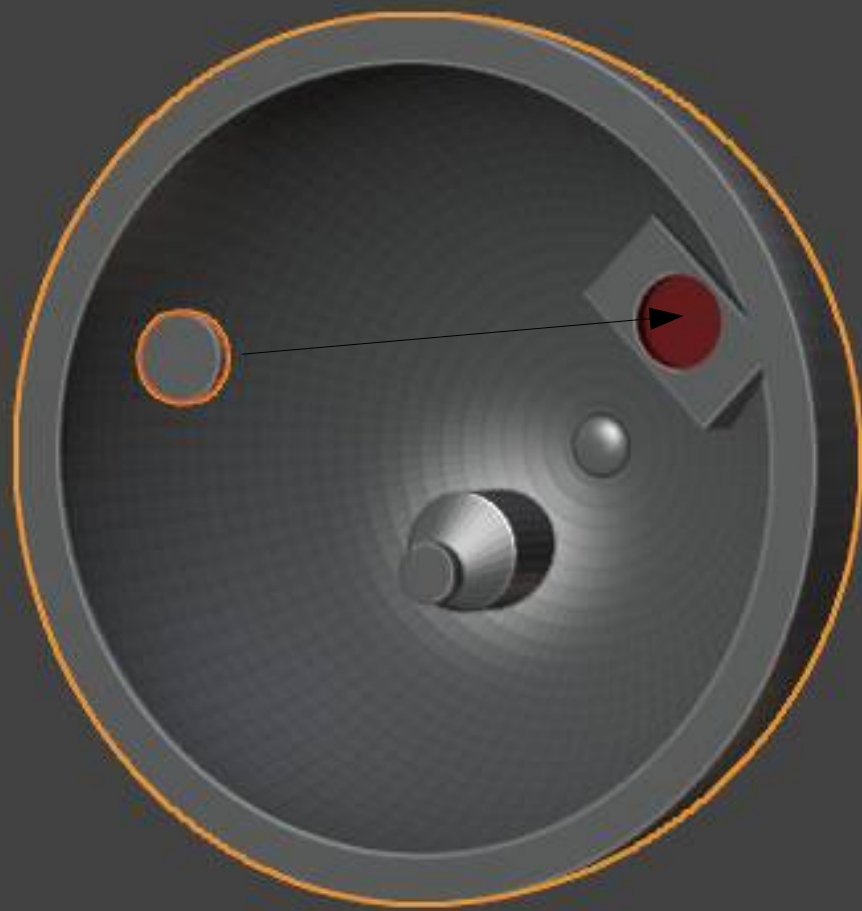
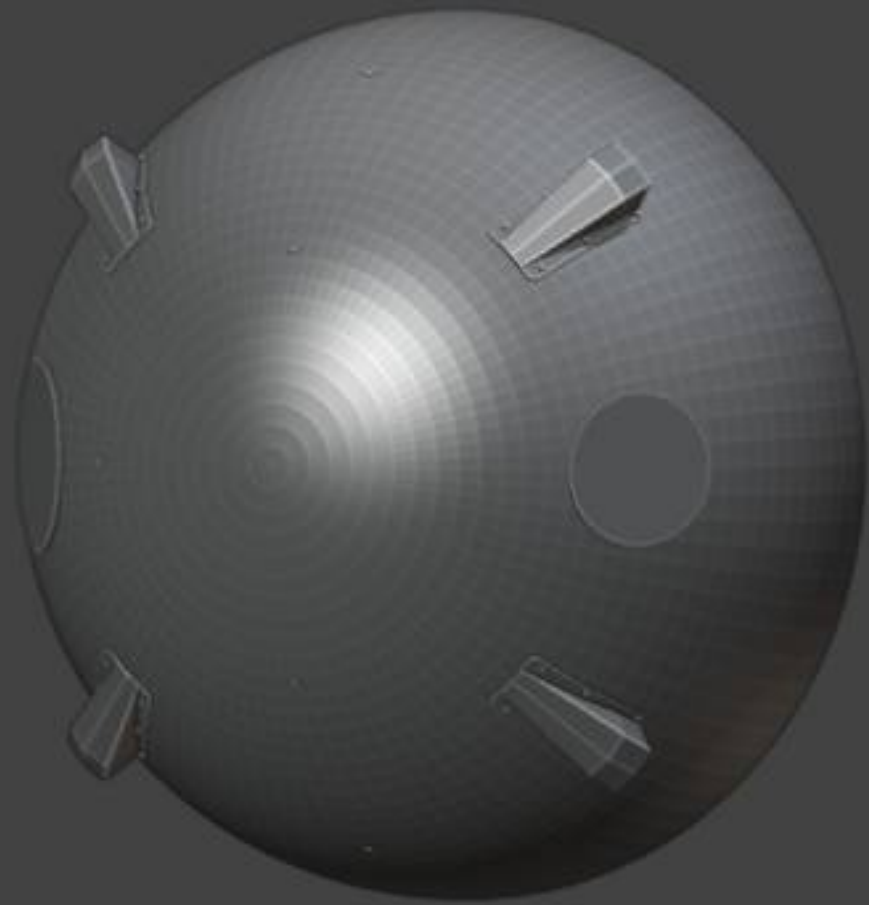
Pair magnets

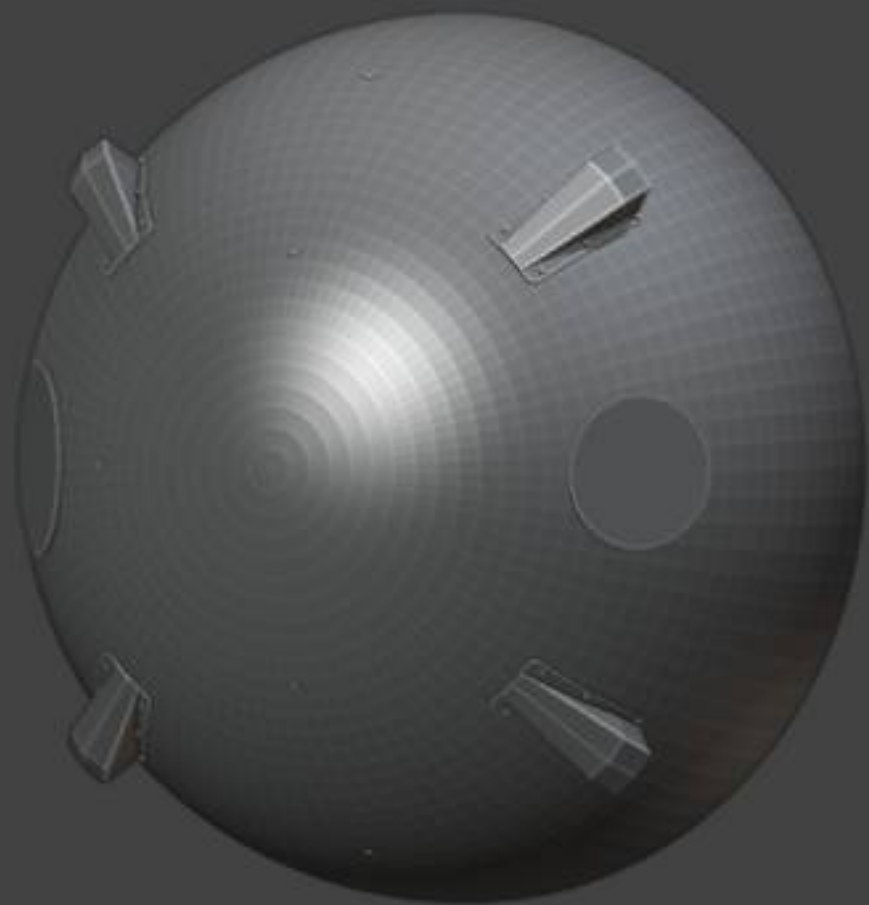


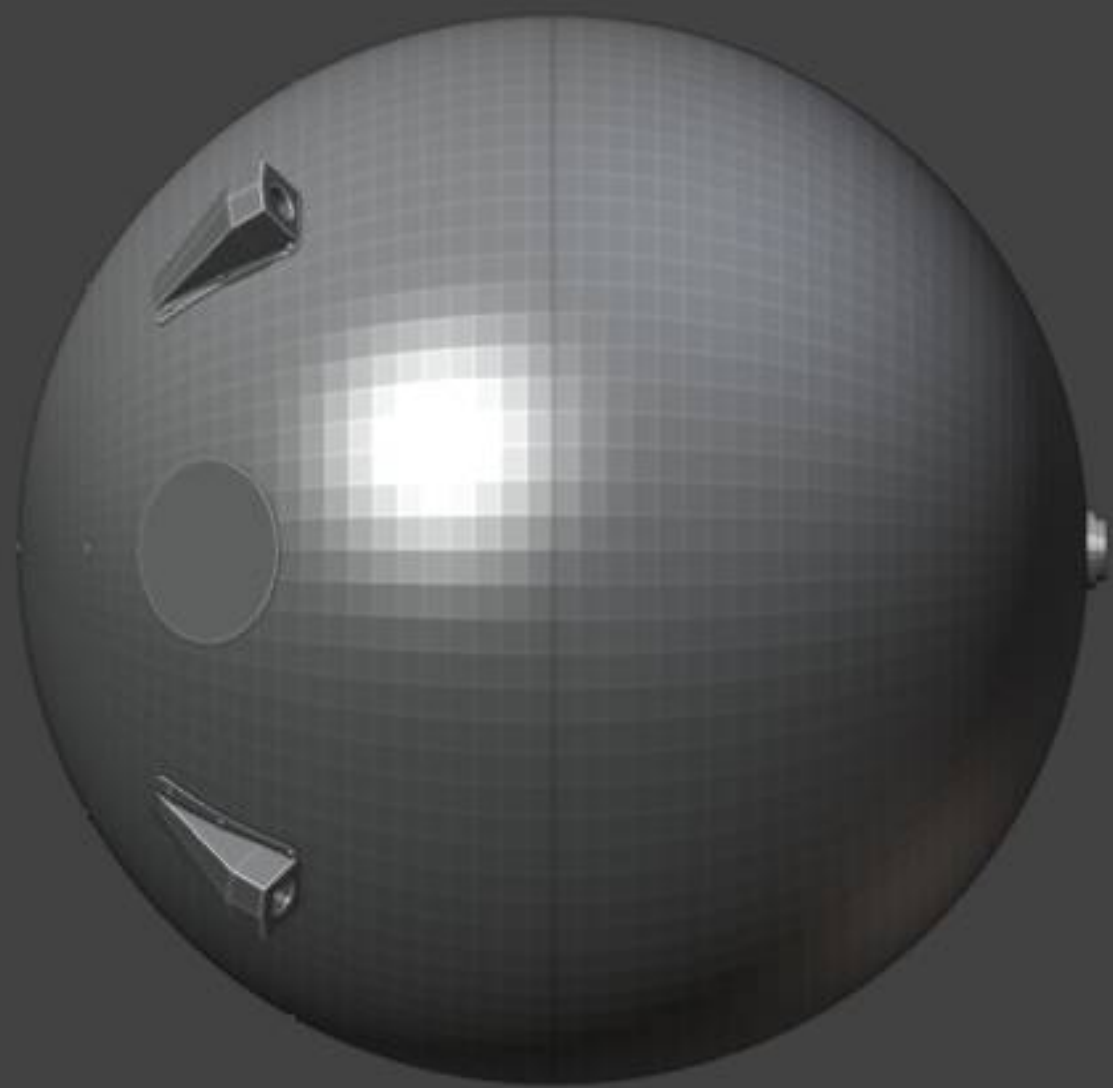
Drop of glue



05



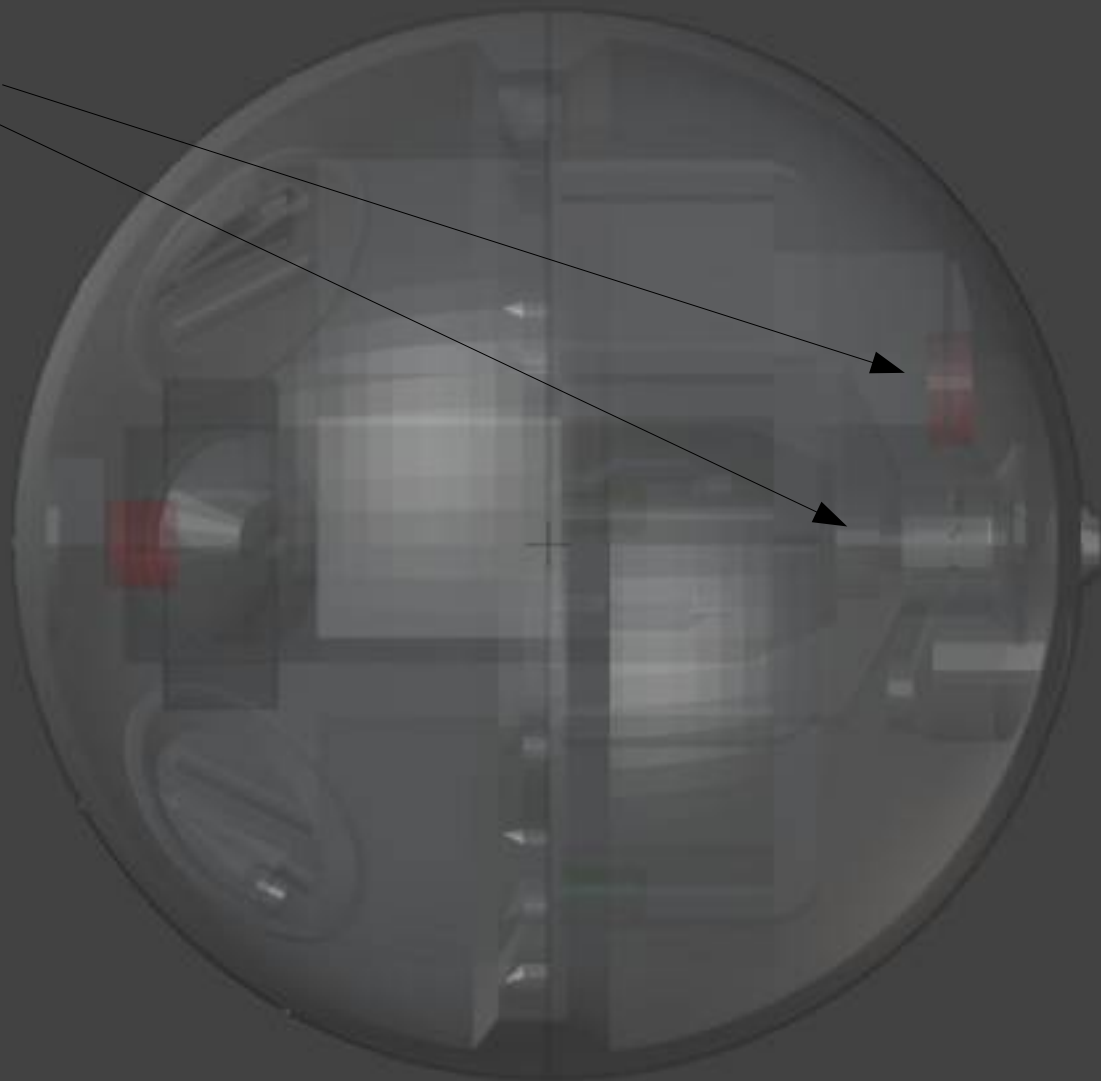


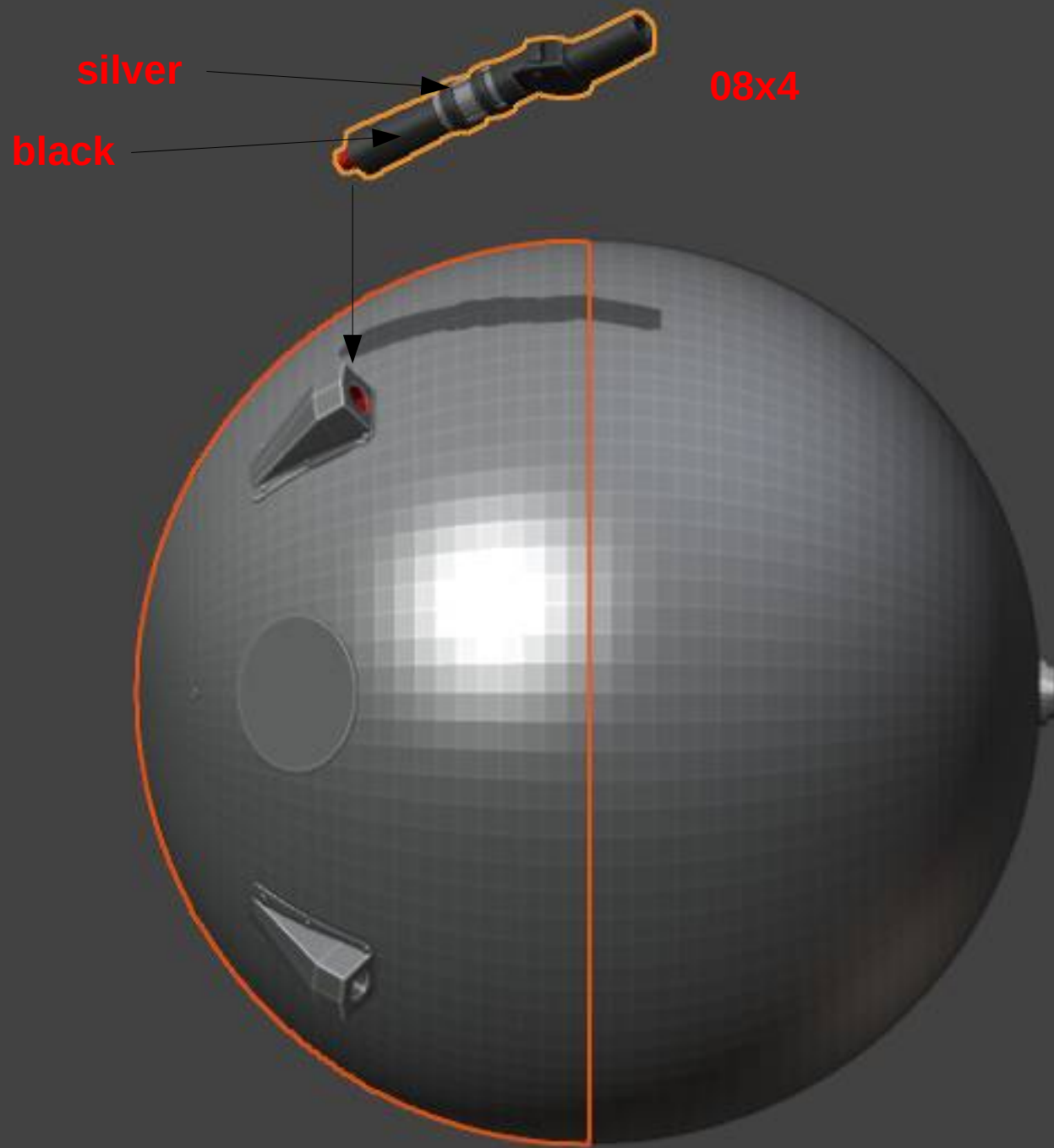


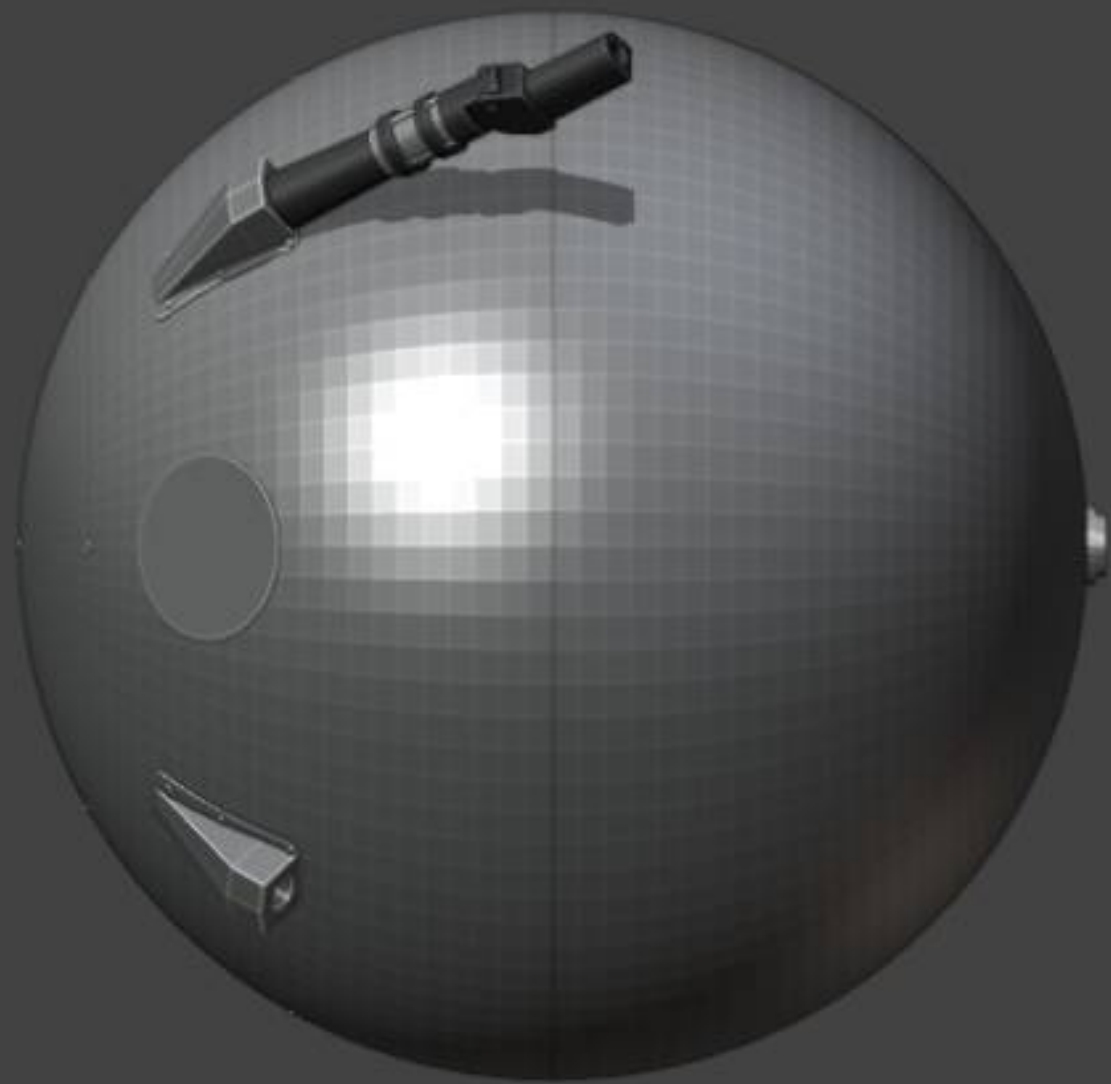
magnets

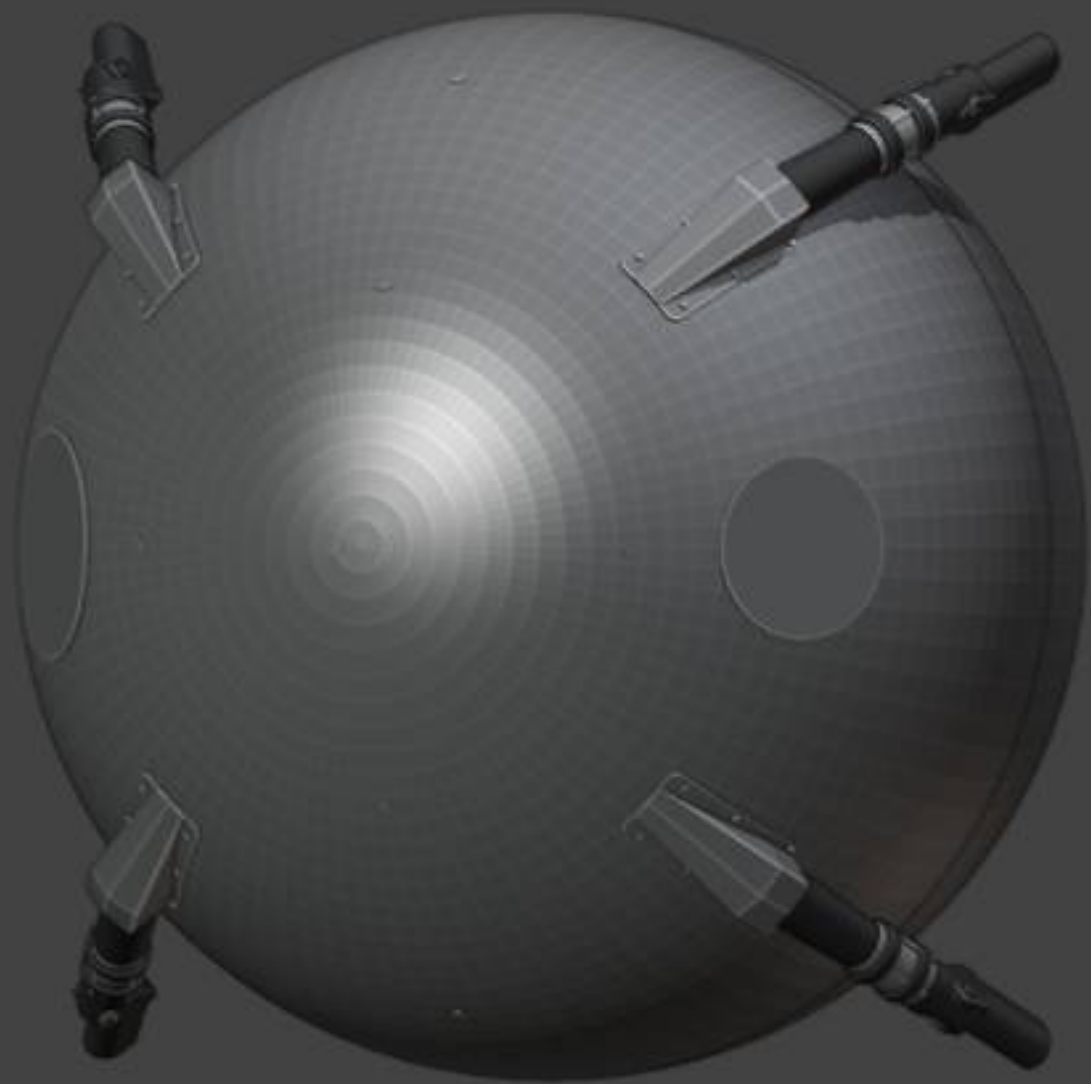


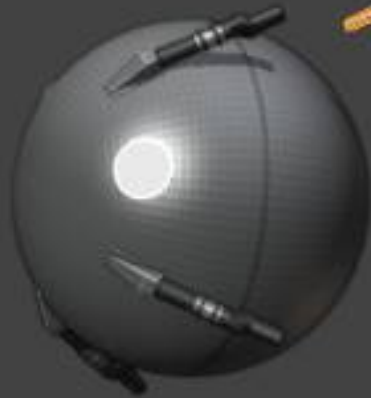
X ray view



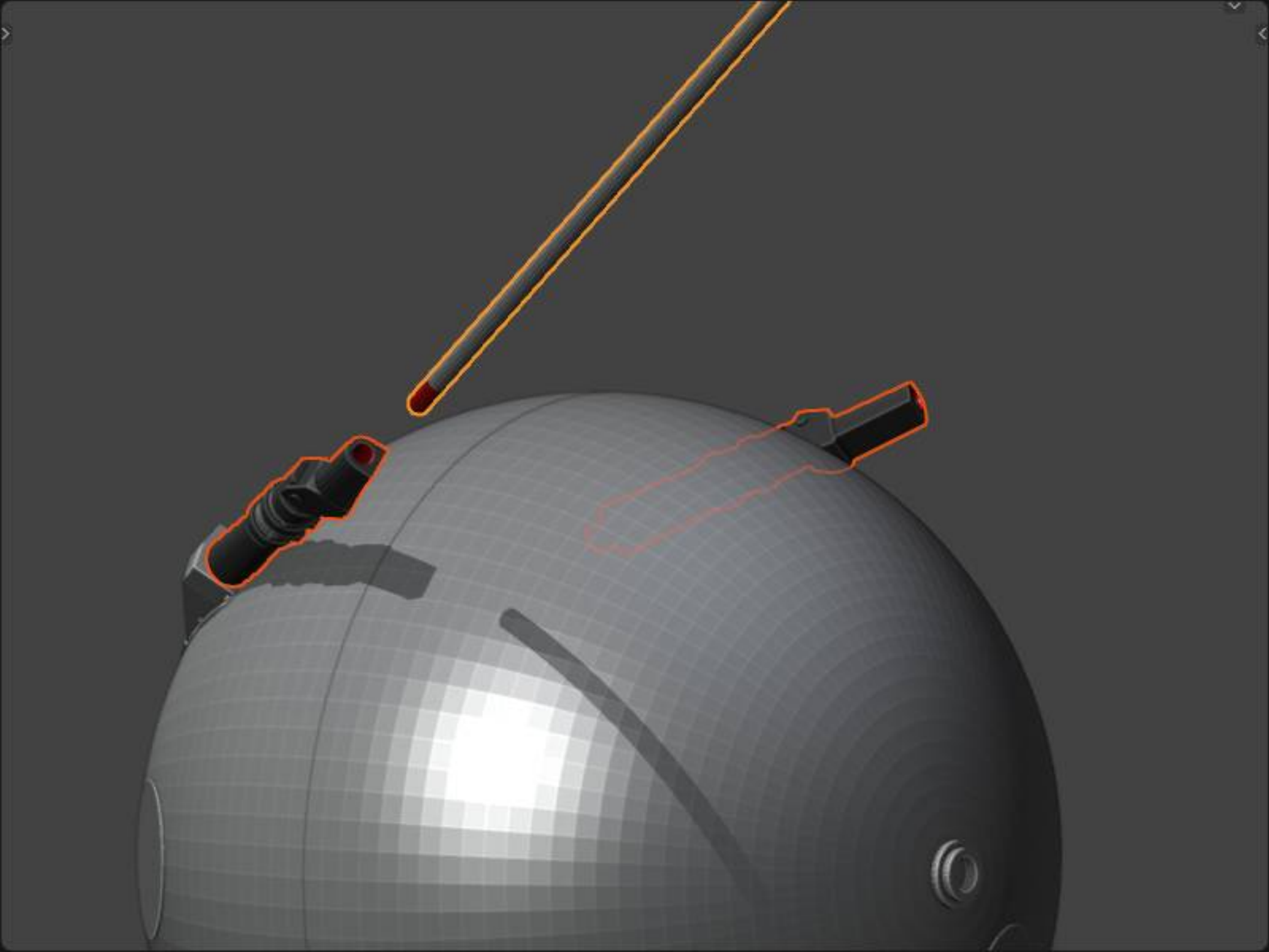


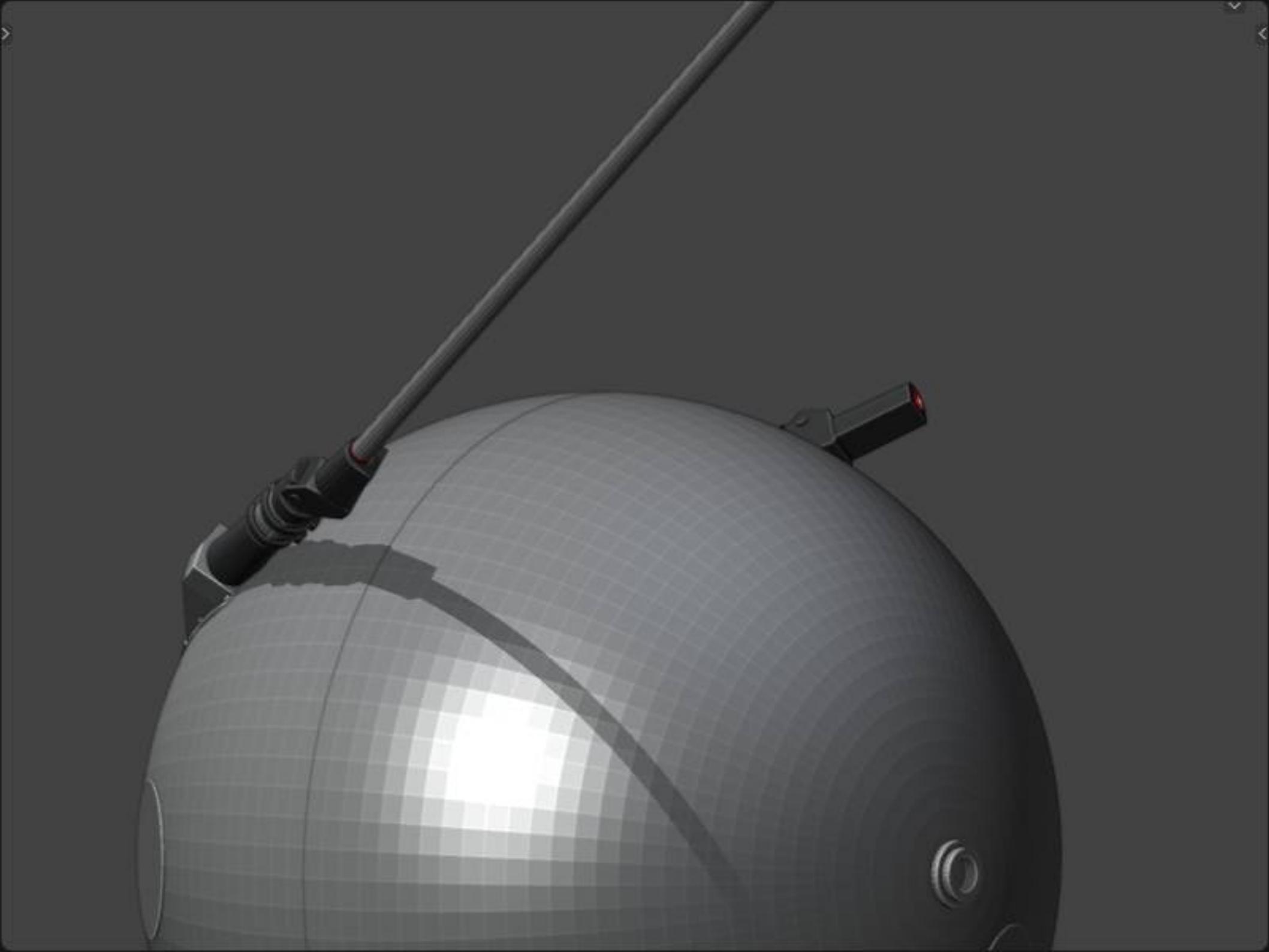


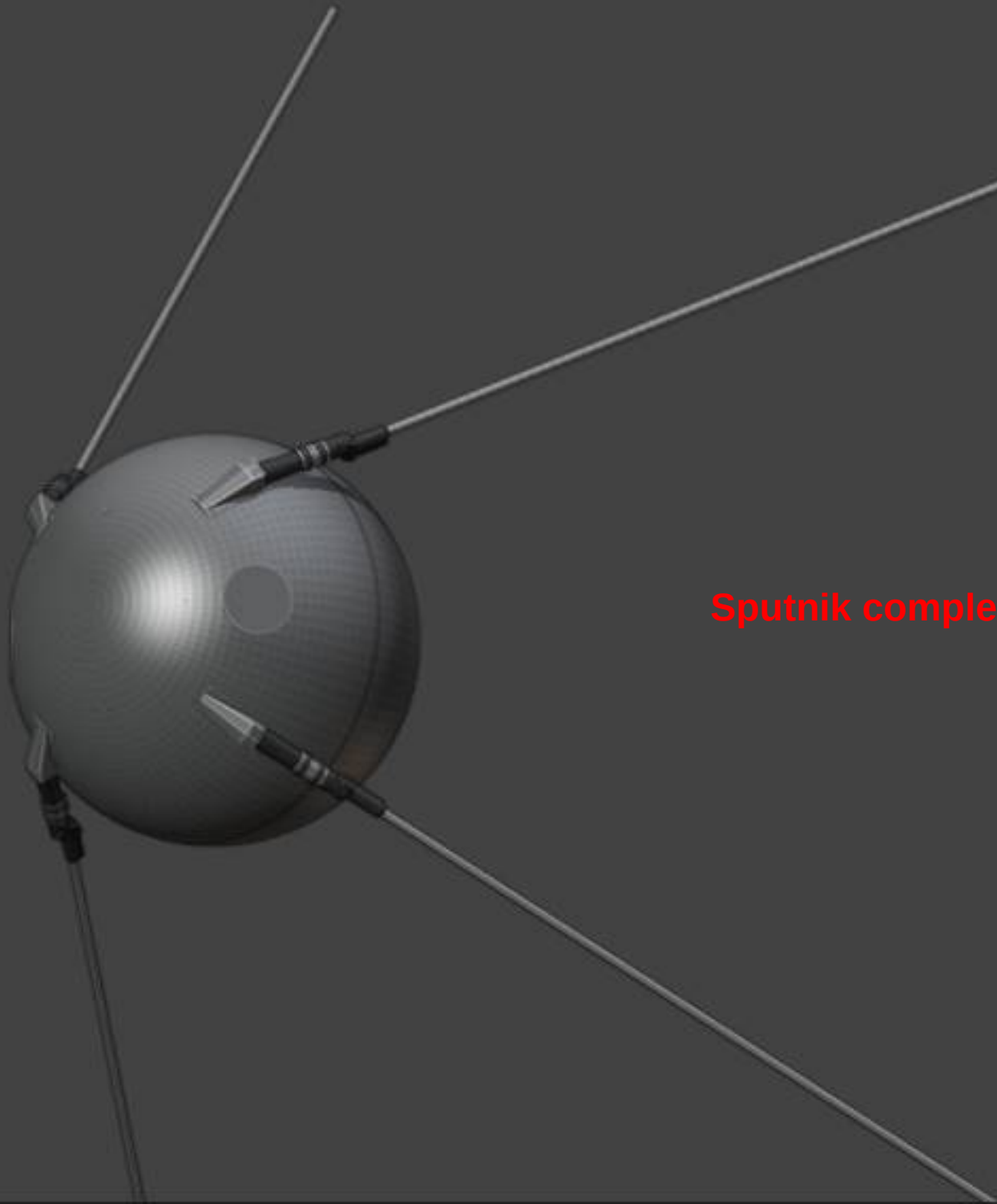




Wire x 4
D0,5 x 210mm





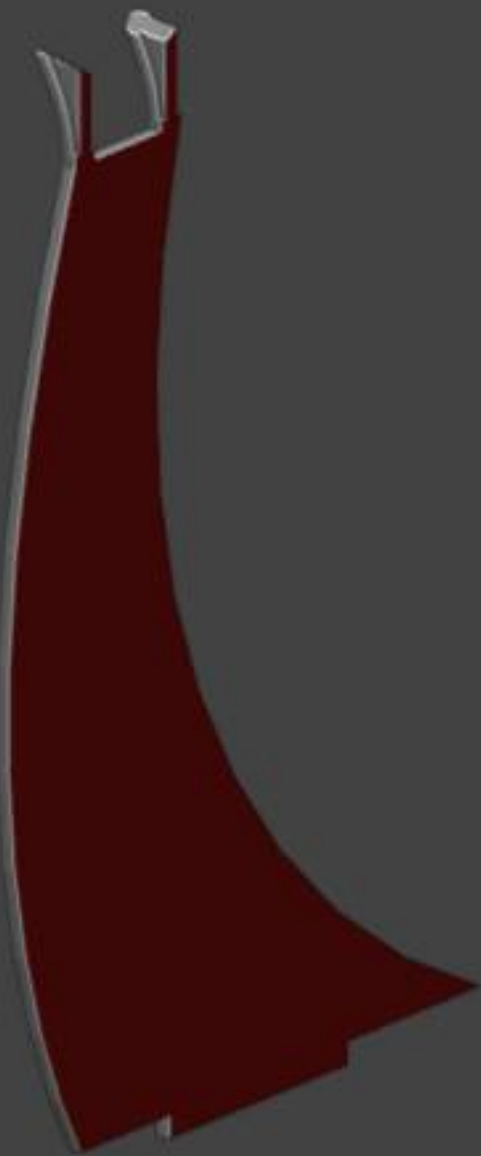


Sputnik complete



Magnetic disassembled view

02

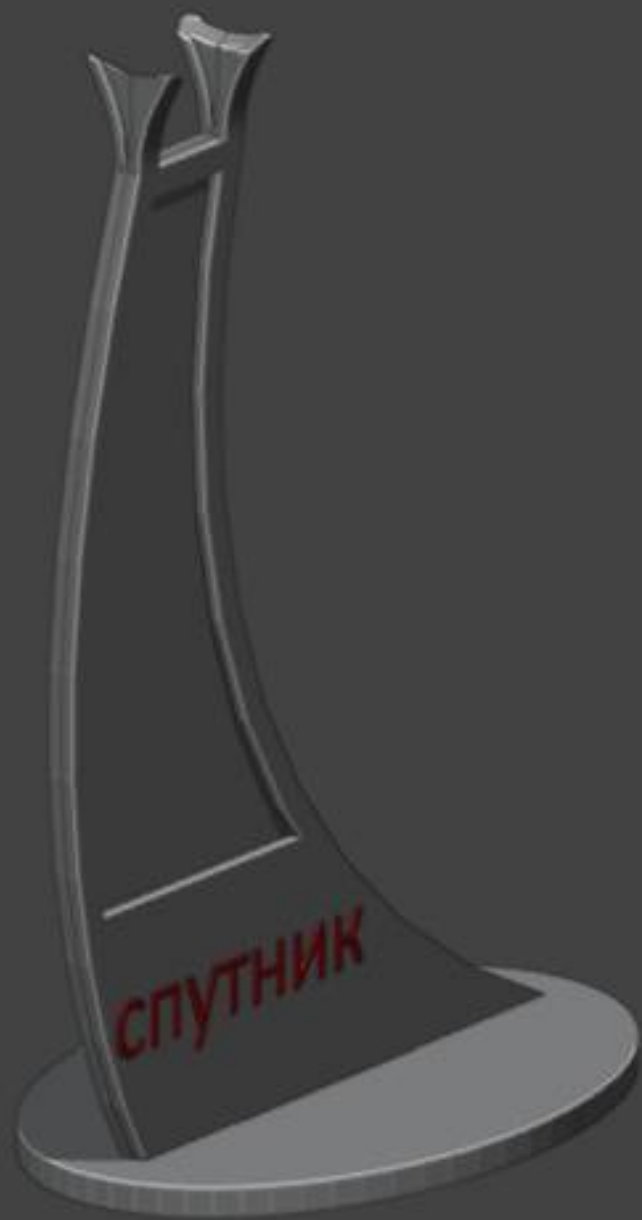


03

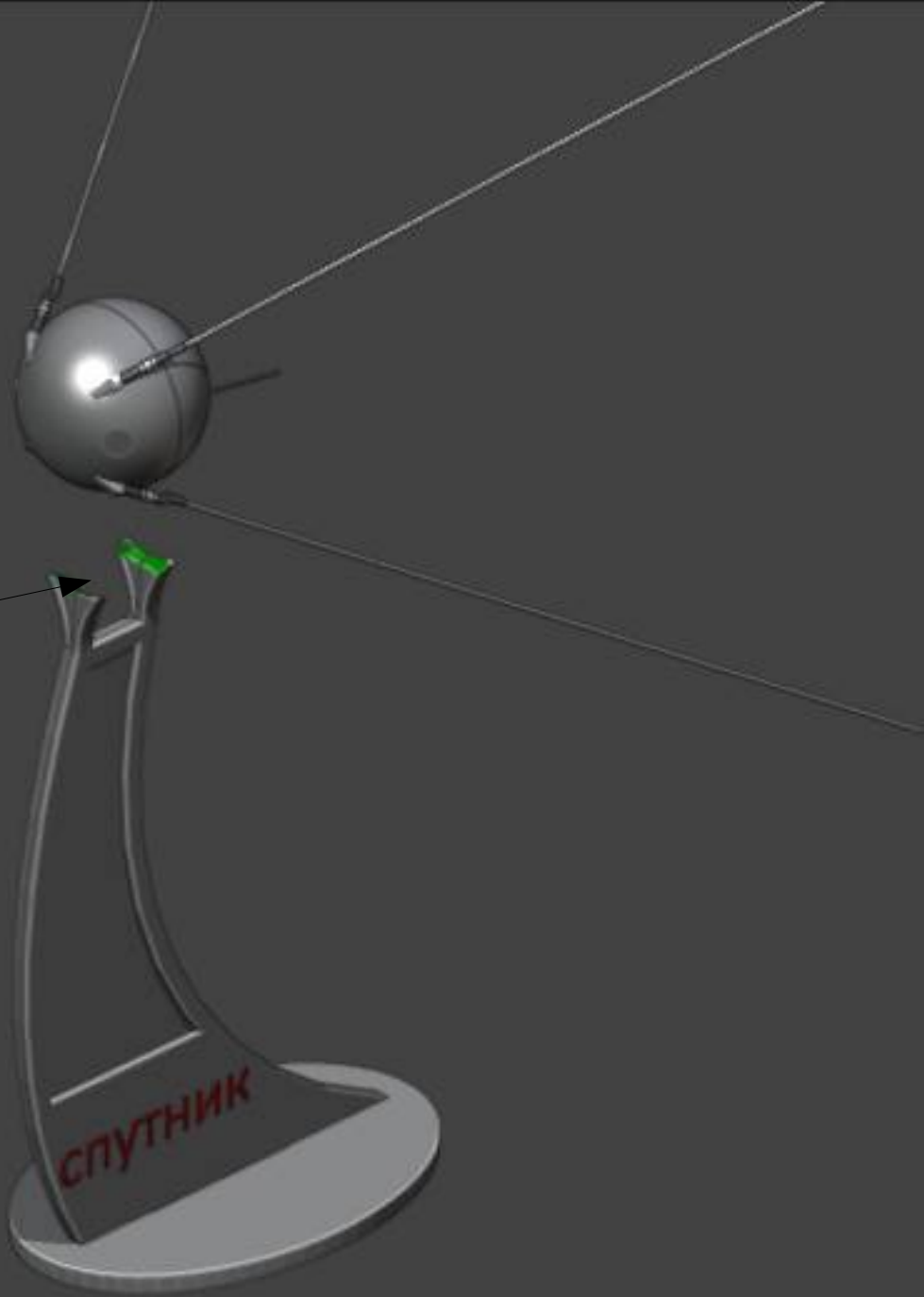




01



No glue



Finished !

