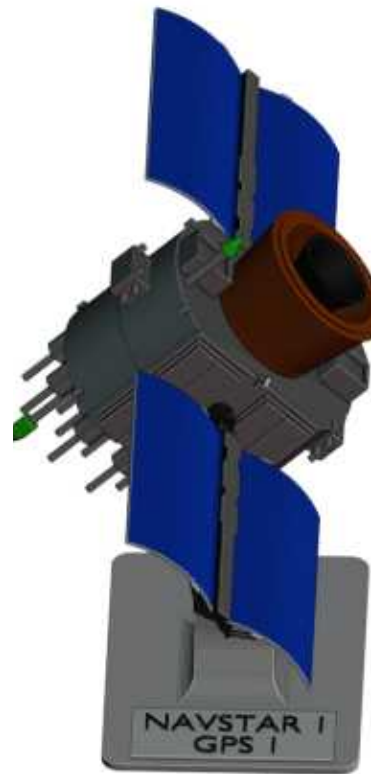


ATLAS F MISSILE « SPIRIT OF OPLIN » - NAVSTAR 1

1/48th SCALE MODEL

ASSEMBLY INSTRUCTION



CHRONIC3D.COM

FDM Printing informations :

Files supplied in STL format are already oriented and ready for printing.
Depending on the type of part, layer thicknesses are left to the customer's discretion.
No support is needed.

FDM Printer technical specifications :

All parts are designed to be printed on a bed measuring at least 200x200x200 mm
The chosen plastic will be PLA or other

Filament needed : 1610 grs in 8 colors :

- ATLAS F ICBM : Silver, 200 grs, white 80 grs
- LAUNCH PLATFORM : Grey 150 grs, orange 10 grs, black 10 grs
- SILO : Light Grey 600 grs, Brown 40 grs, yellow 20 grs, silver, 10 grs, black, 10 grs
- ATLAS F NAVSTAR : Silver 300 grs, White 80 grs
- SATELLITE : Silver 100 Grs, Brown 20 Grs, Black 20 Grs, White 10 Grs, Blue 5 Grs, Green 5 Grs, Light Grey 20 Grs
- Flames : White 200 Grs

Tools required :

**Soldering iron
cyanoacrylate glue
fine tweezers
2 mm drill bit
File
Cutter
Scissors
wire cutters**

**some 1.75 mm filament
in silver, black and yellow**



Part designation :

AF-SI-02-Lg x2

ATLAS F Model

Package :

SI : SILO

LP : Launch Platform

AF : ATLAS F ICBM

AN : ATLAS F NAVSTAR

NV : NAVSTAR SATELLITE

Number

Color :

LG : Light Grey

Bk : Black

Br : Brown

G : Grey

Gr : Green

O : Orange

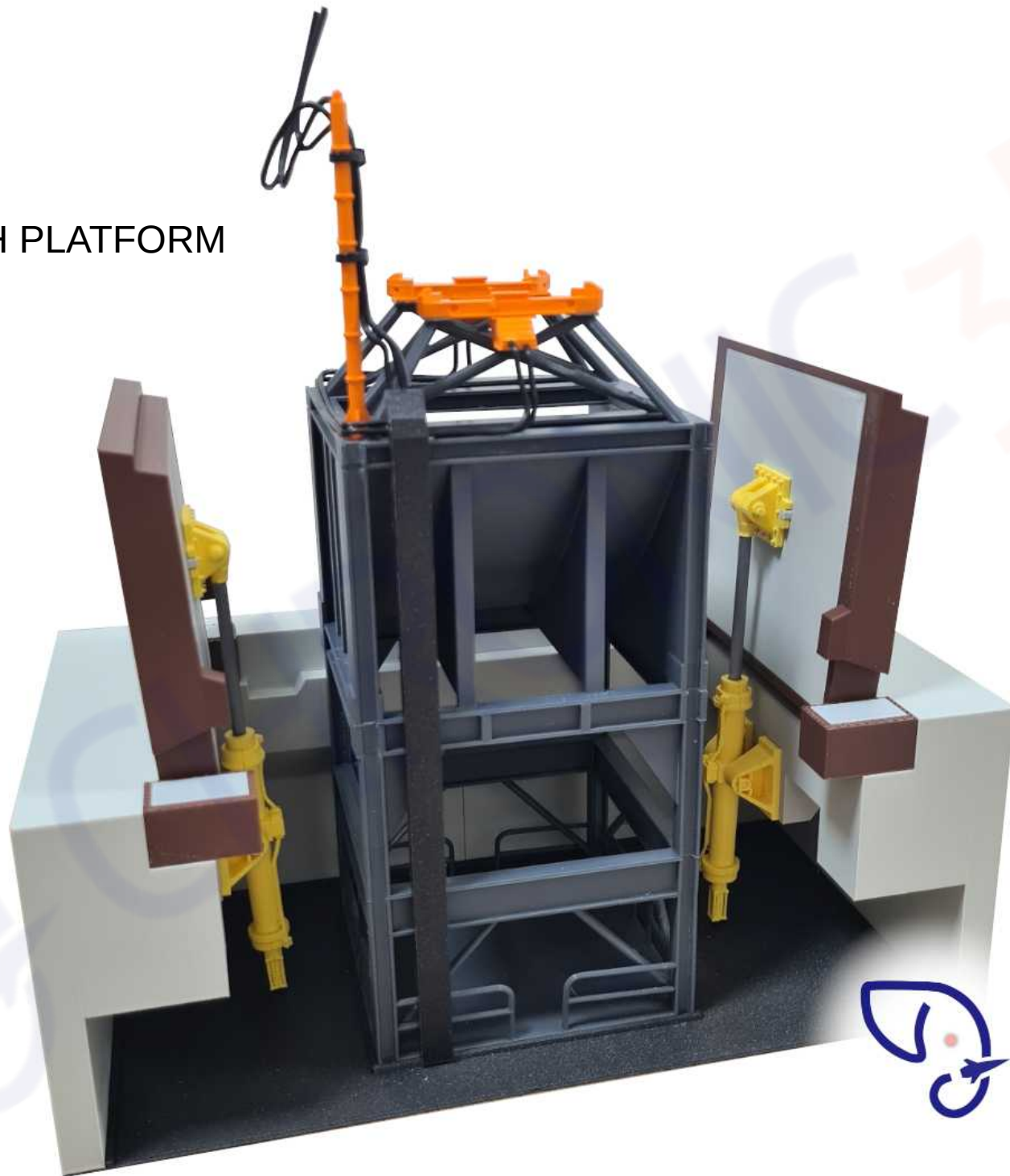
S : Silver

W : White

Y : Yellow

Quantity

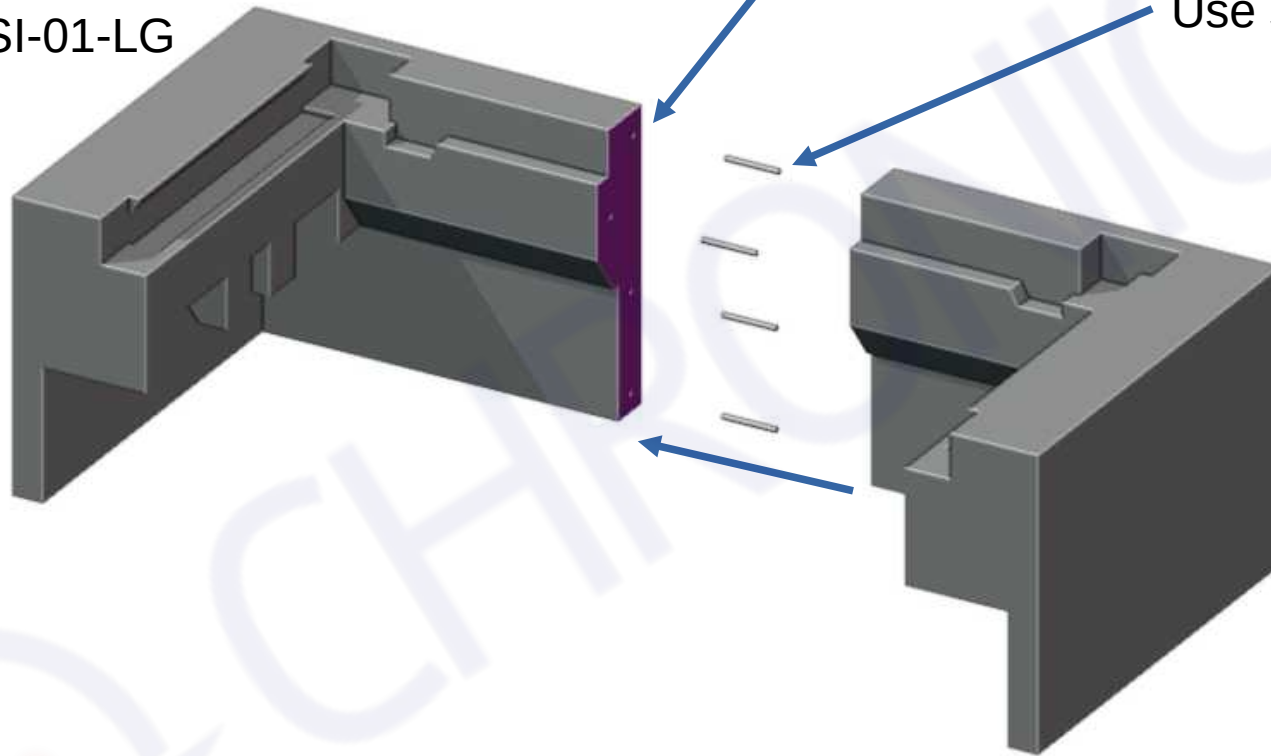
ATLAS F
SILO AND LAUNCH PLATFORM



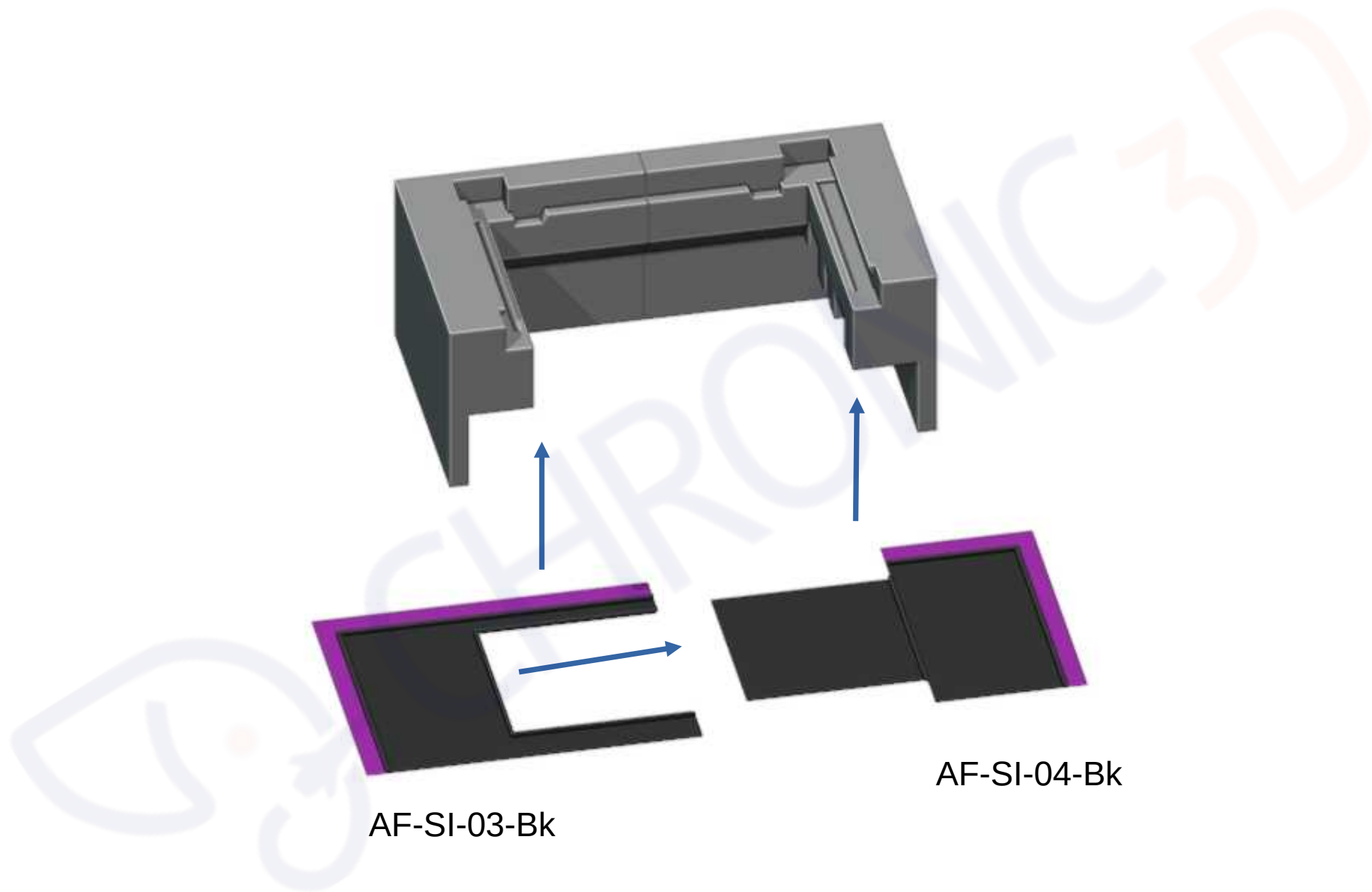
AF-SI-01-LG

Purple : gluing area

Use some 1/75mm filament



AF-SI-02-LG



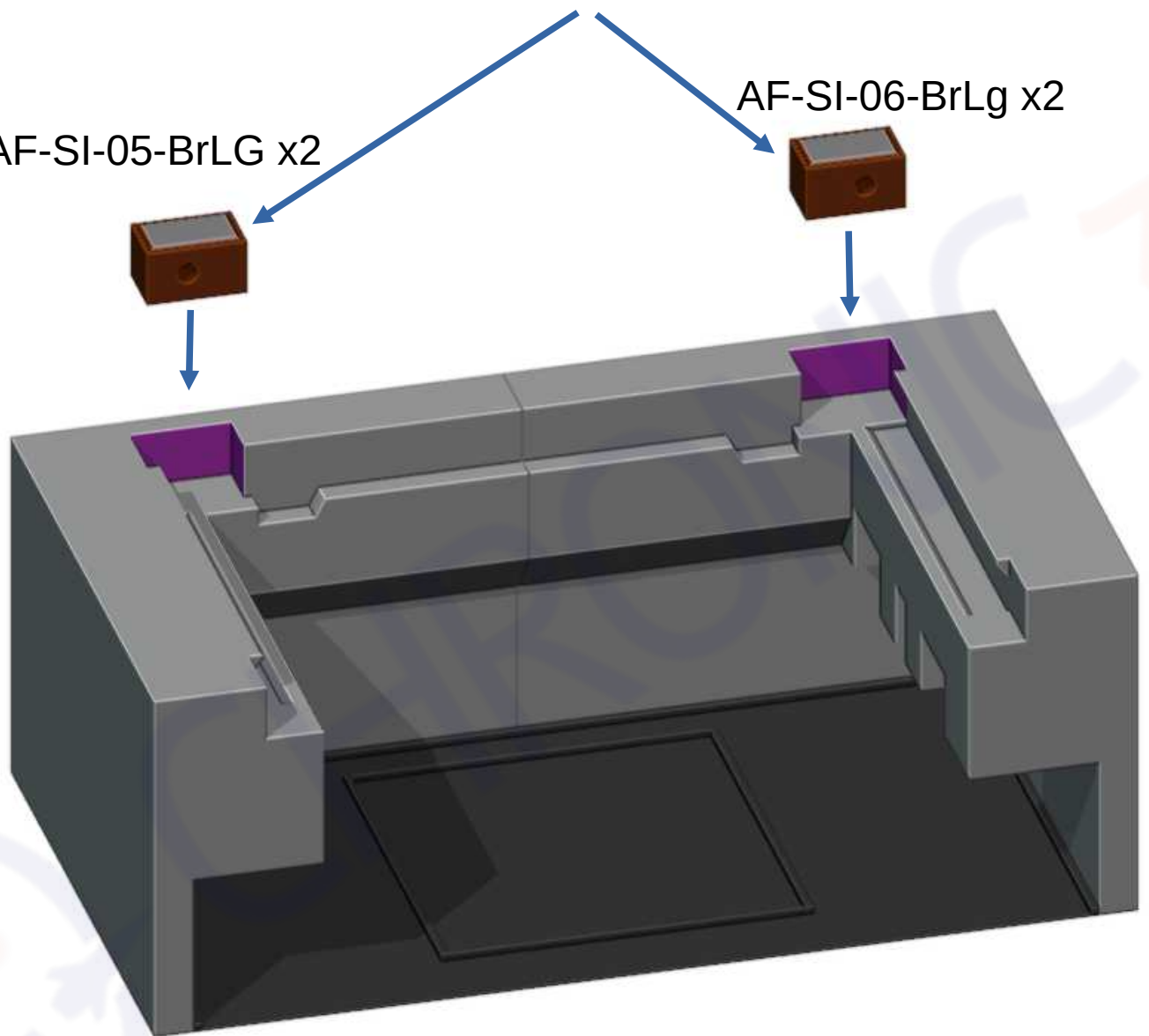
AF-SI-03-Bk

AF-SI-04-Bk

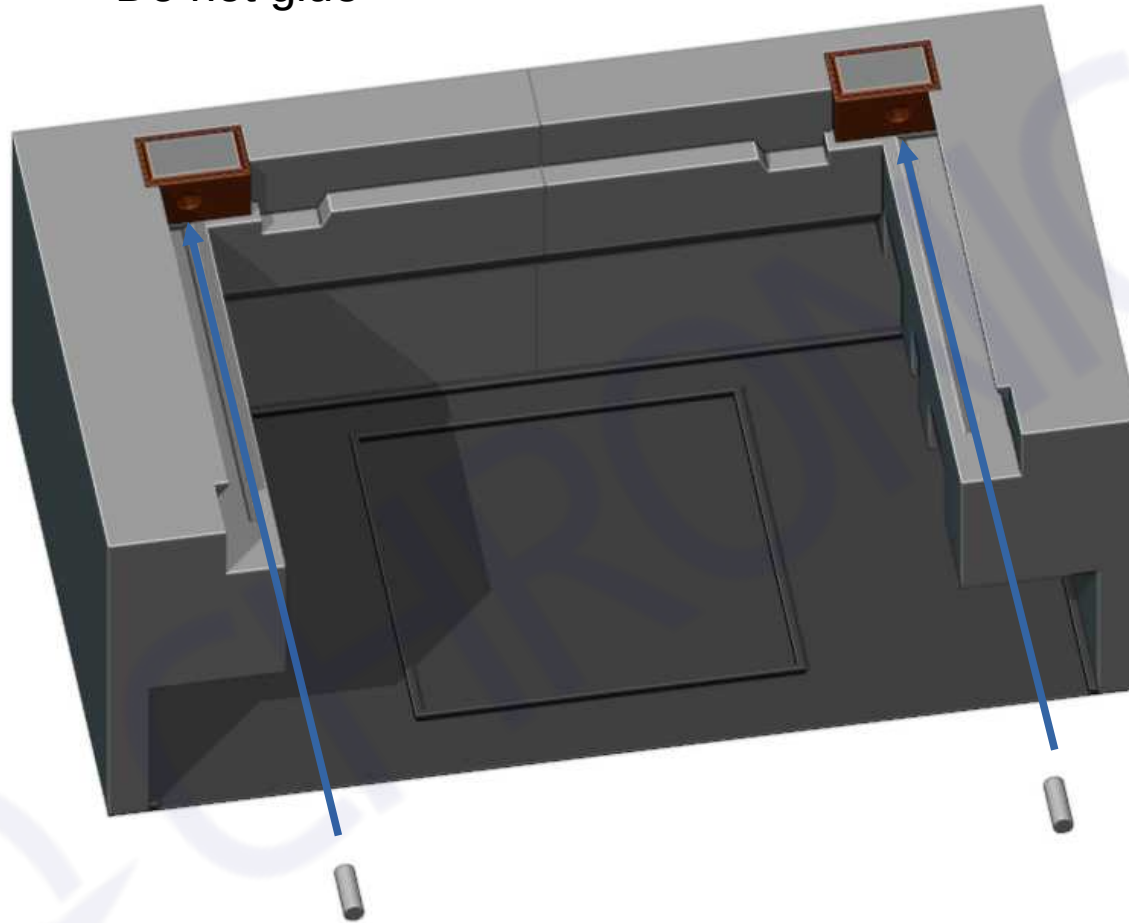
Print this part in brown and make a color change in light grey at last layer.

AF-SI-05-BrLG x2

AF-SI-06-BrLg x2



Do not glue

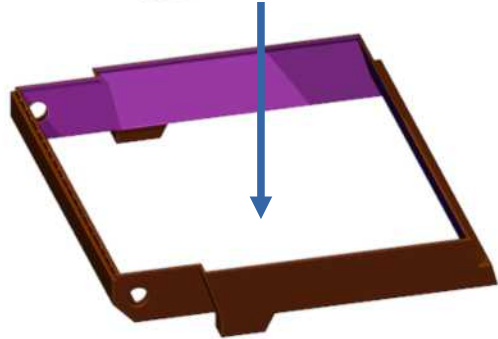
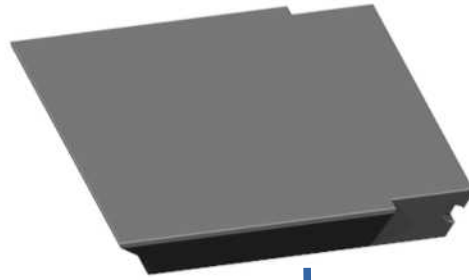


AF-SI-07-LG x4

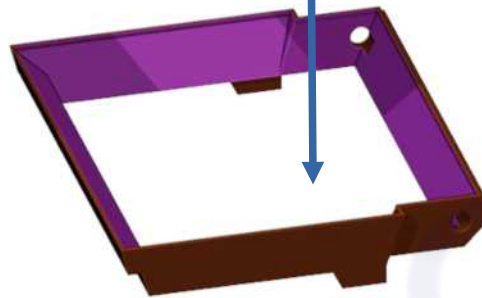
AF-SI-08-LG



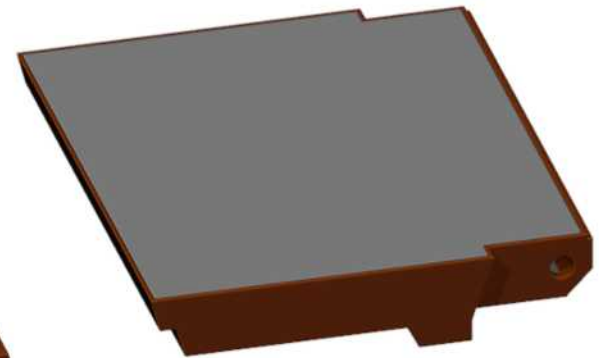
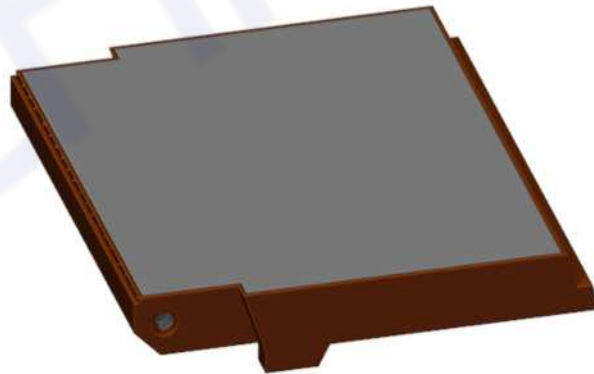
AF-SI-09-LG

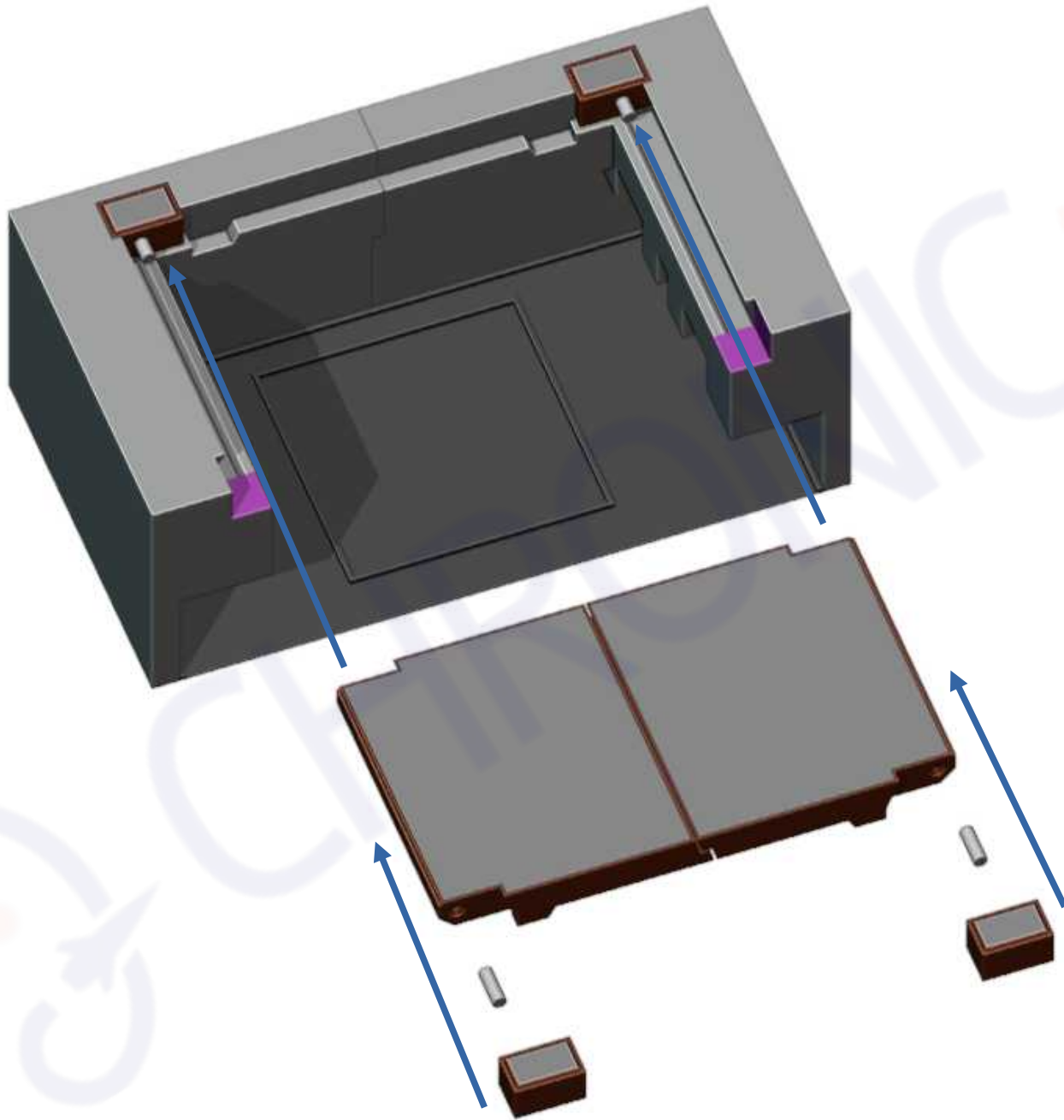


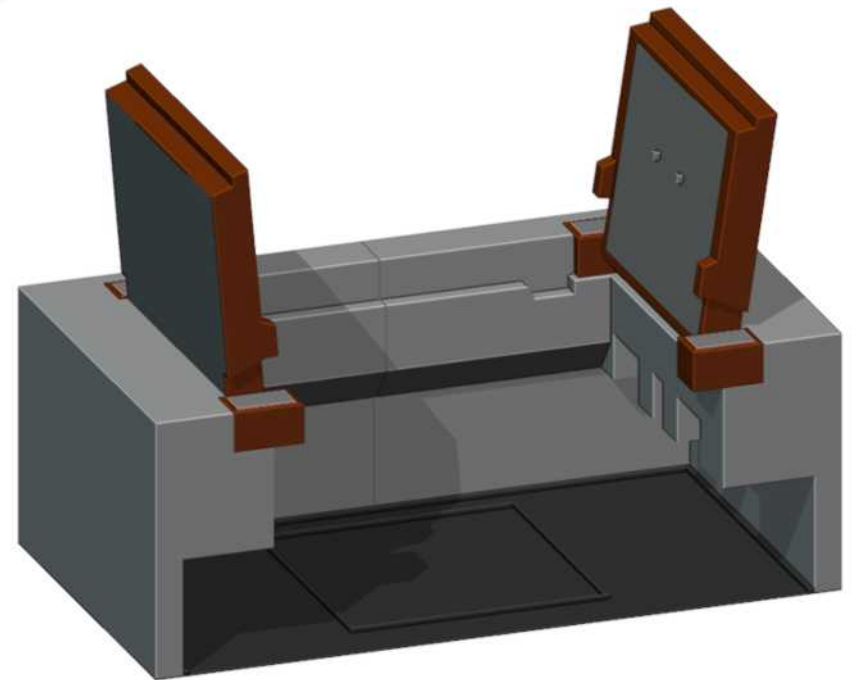
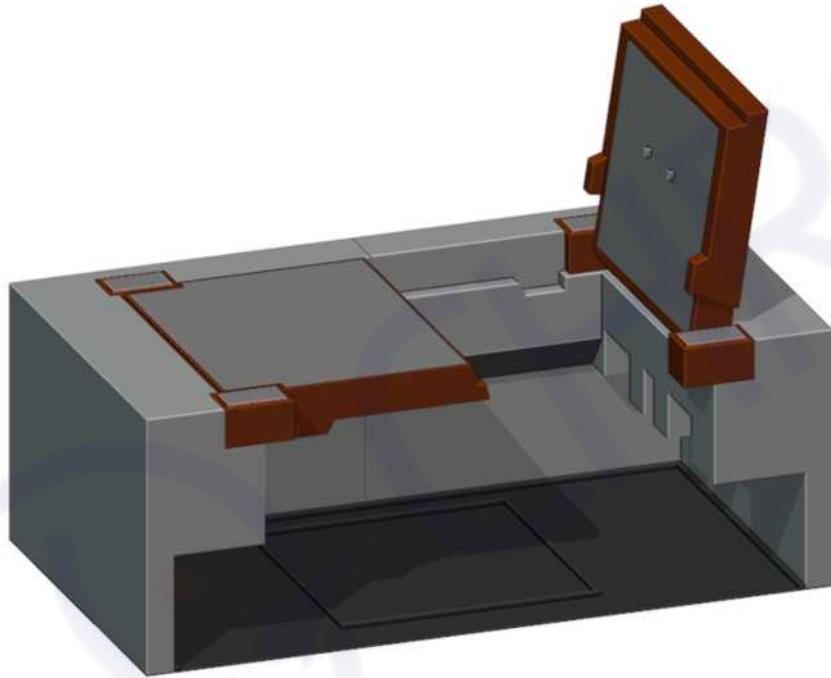
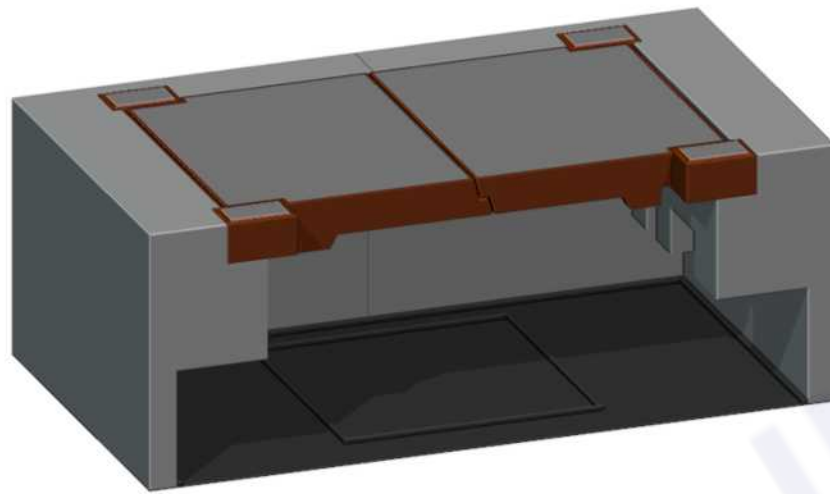
AF-SI-10-Br

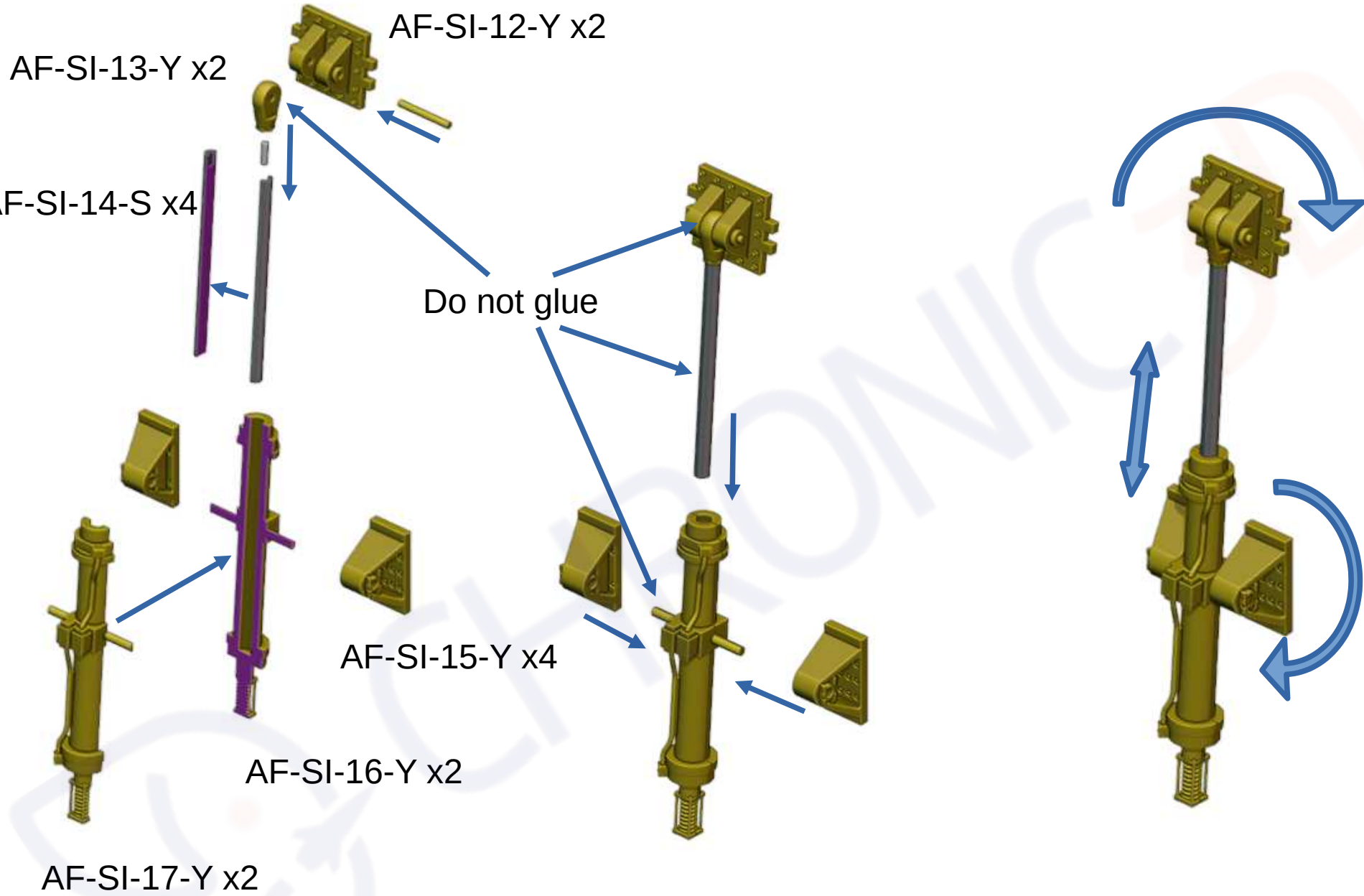


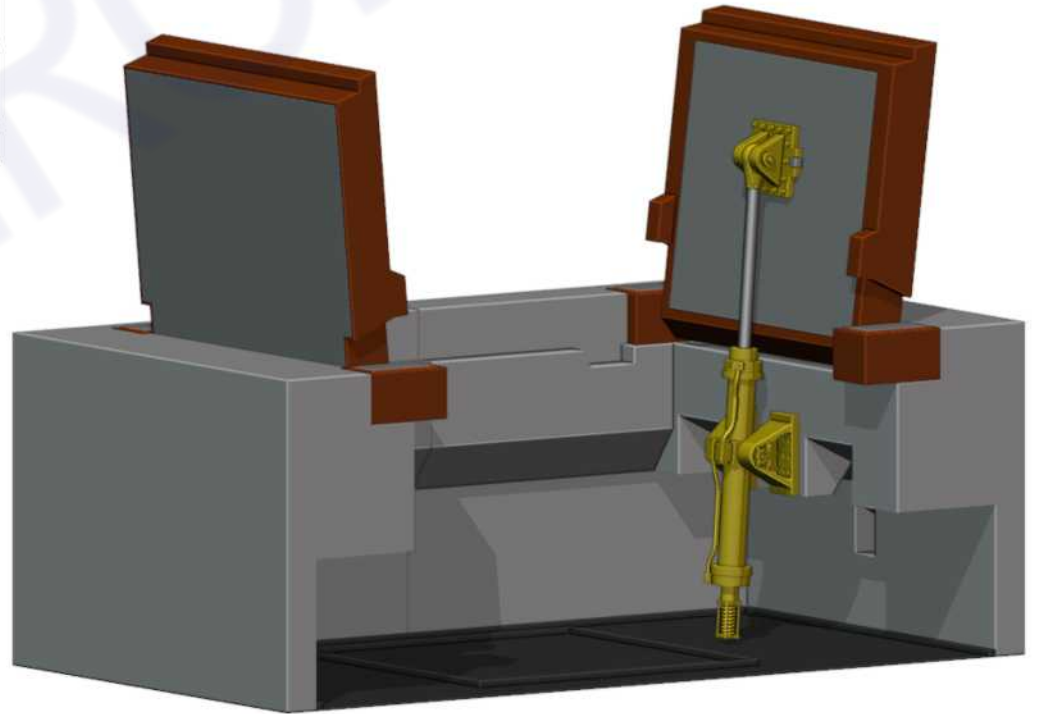
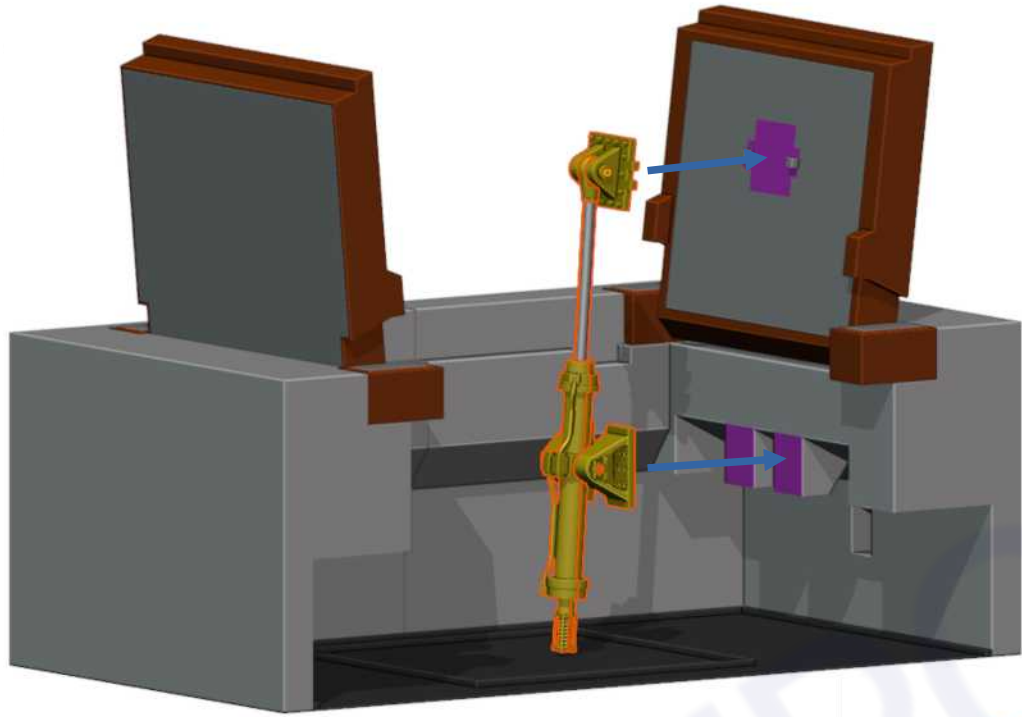
AF-SI-11-Br



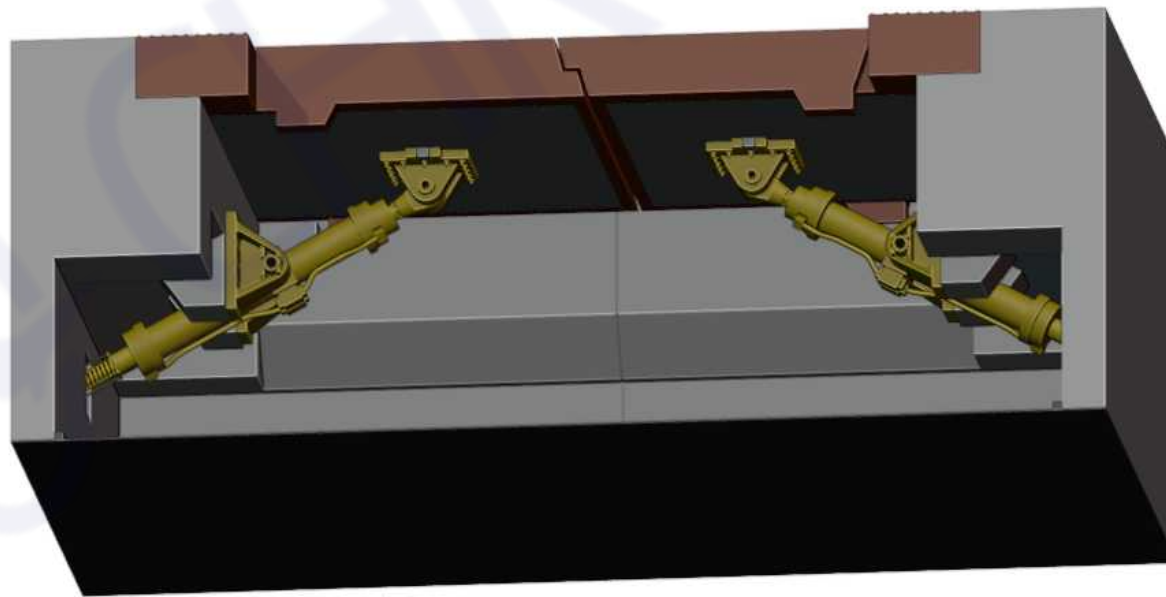
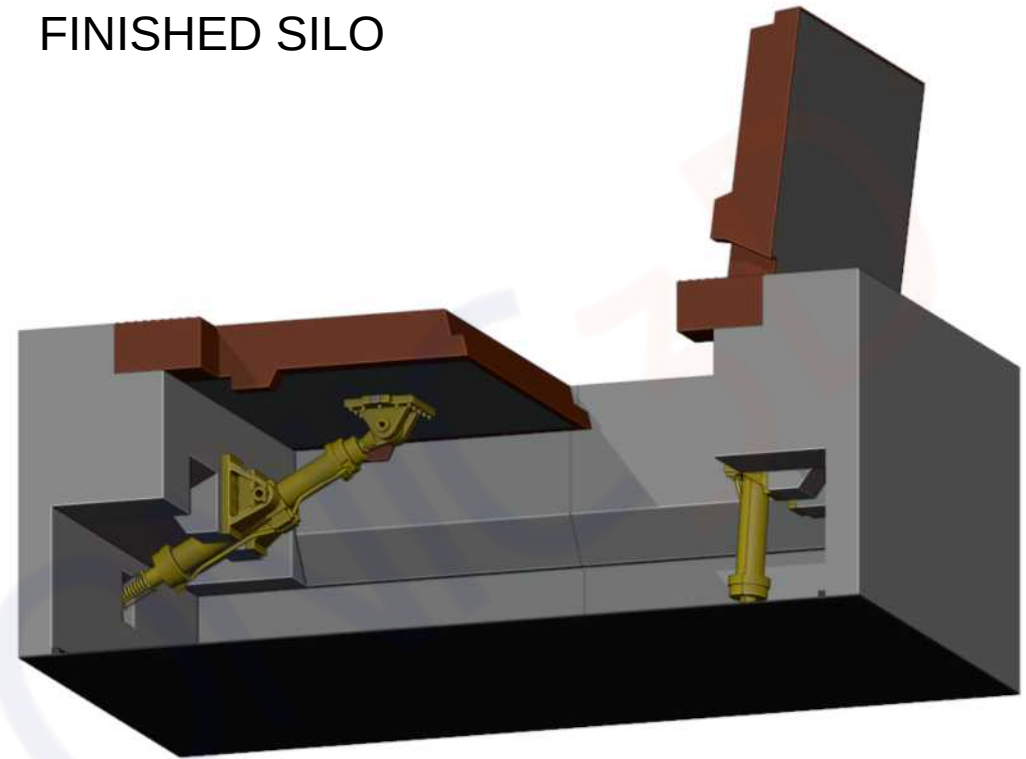
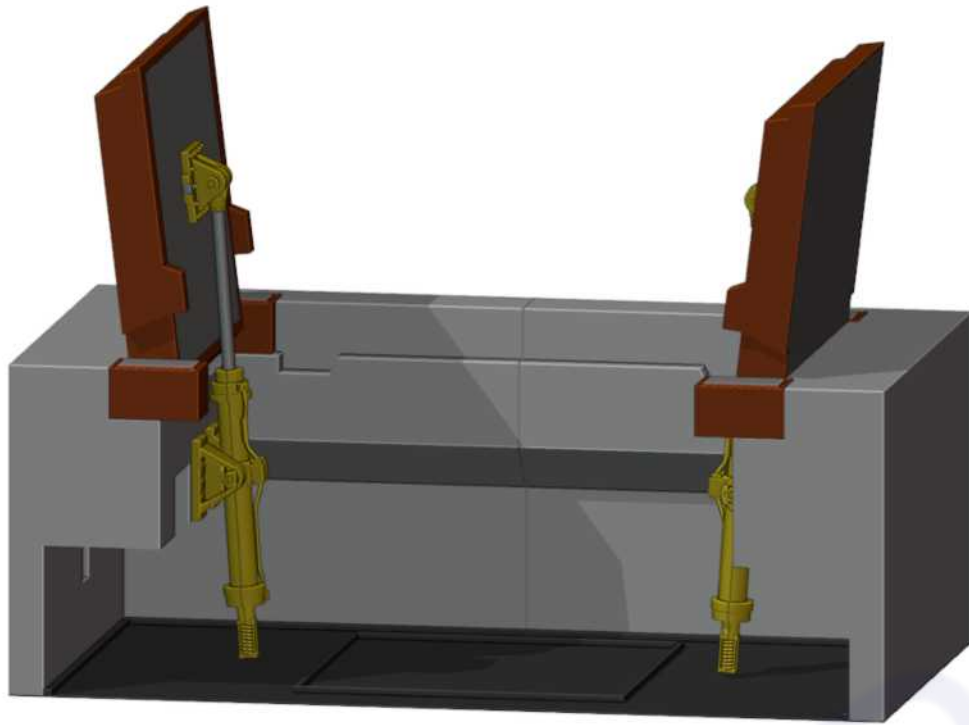




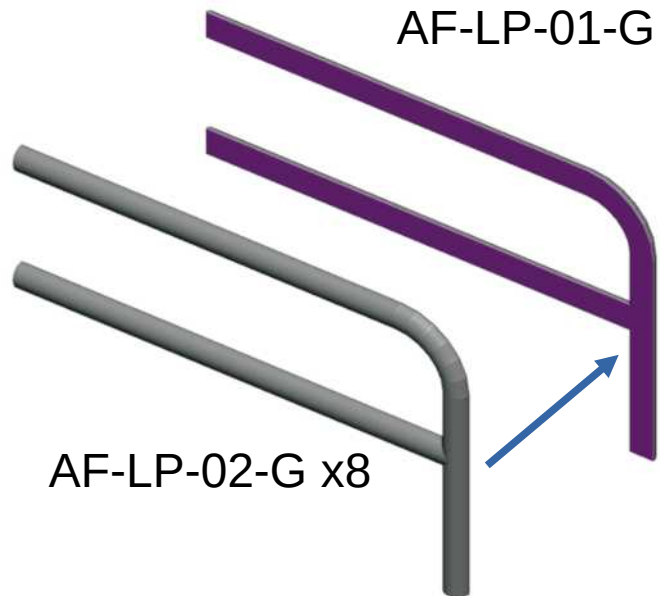




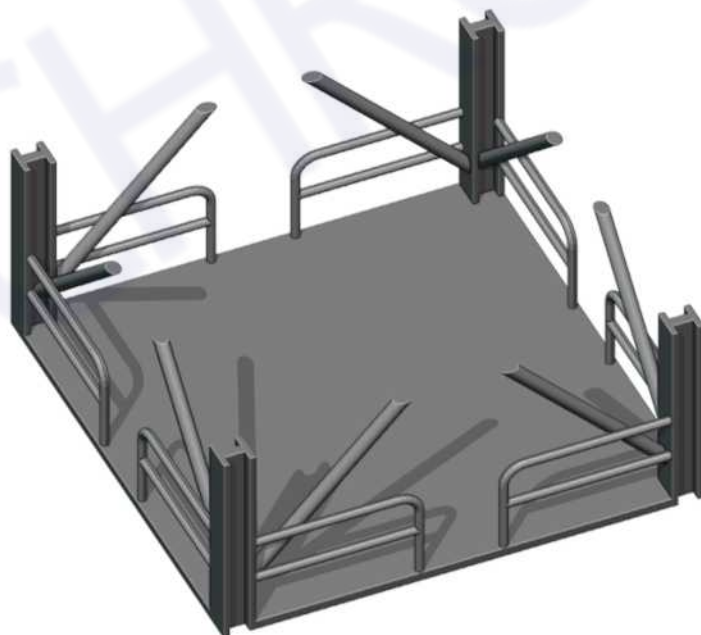
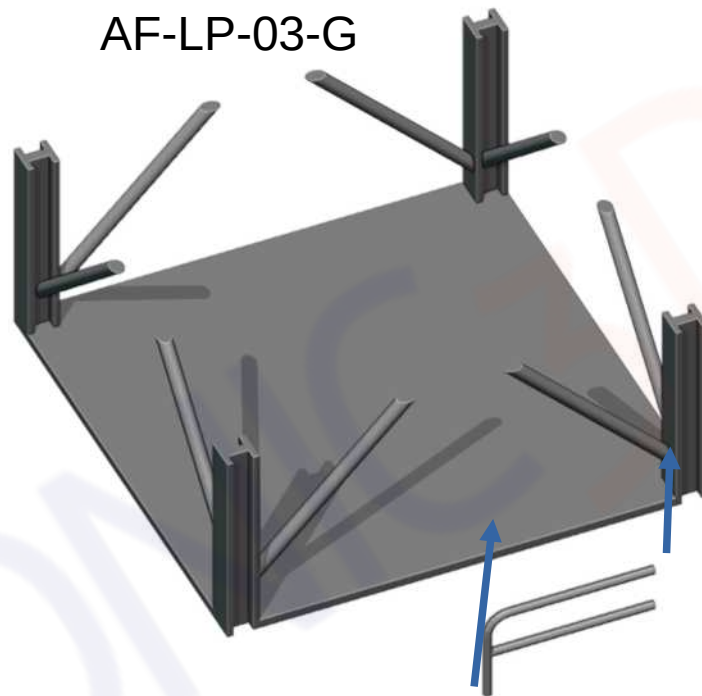
FINISHED SILO



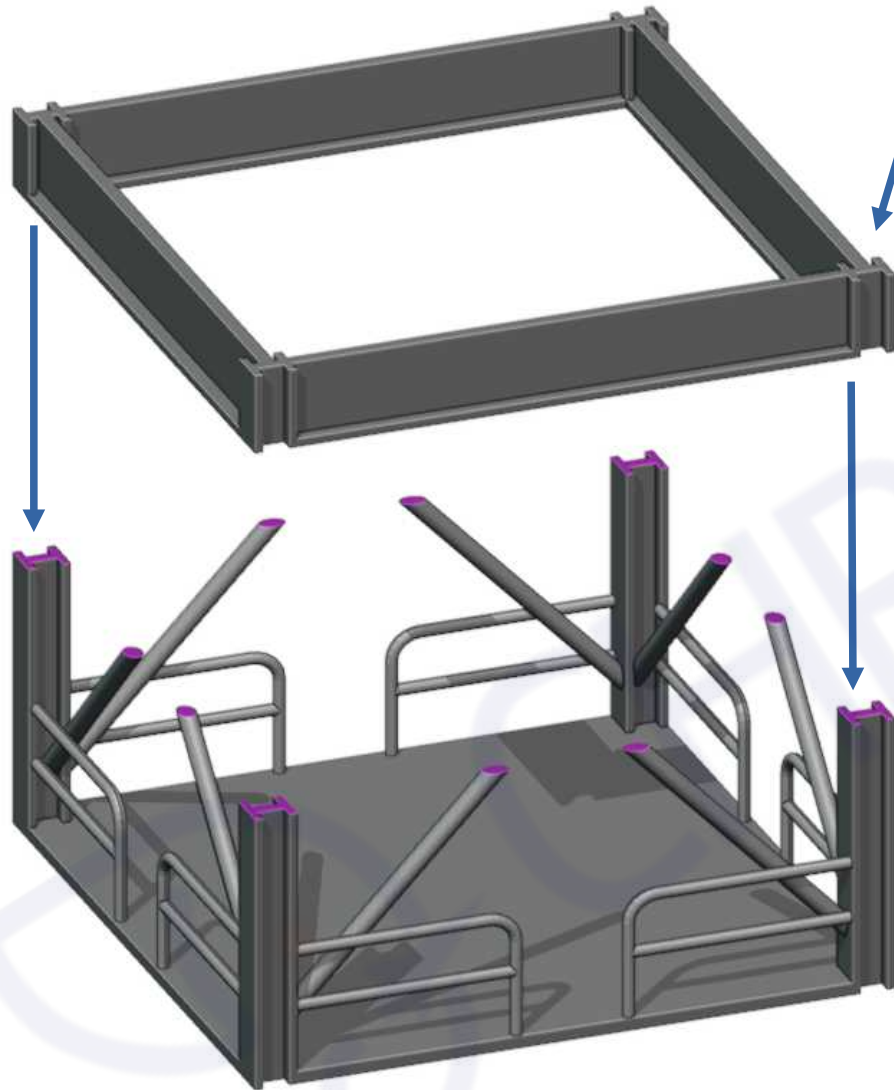
AF-LP-01-G x8



AF-LP-03-G

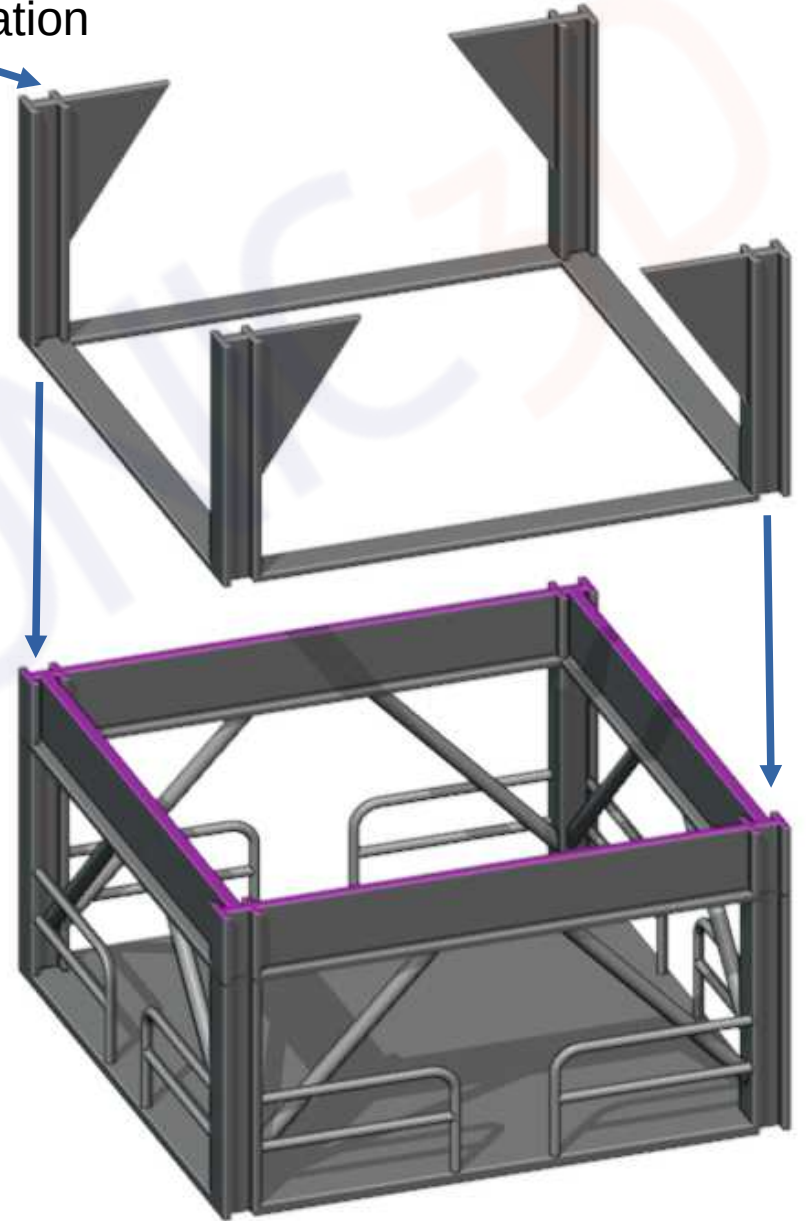


AF-LP-04-G

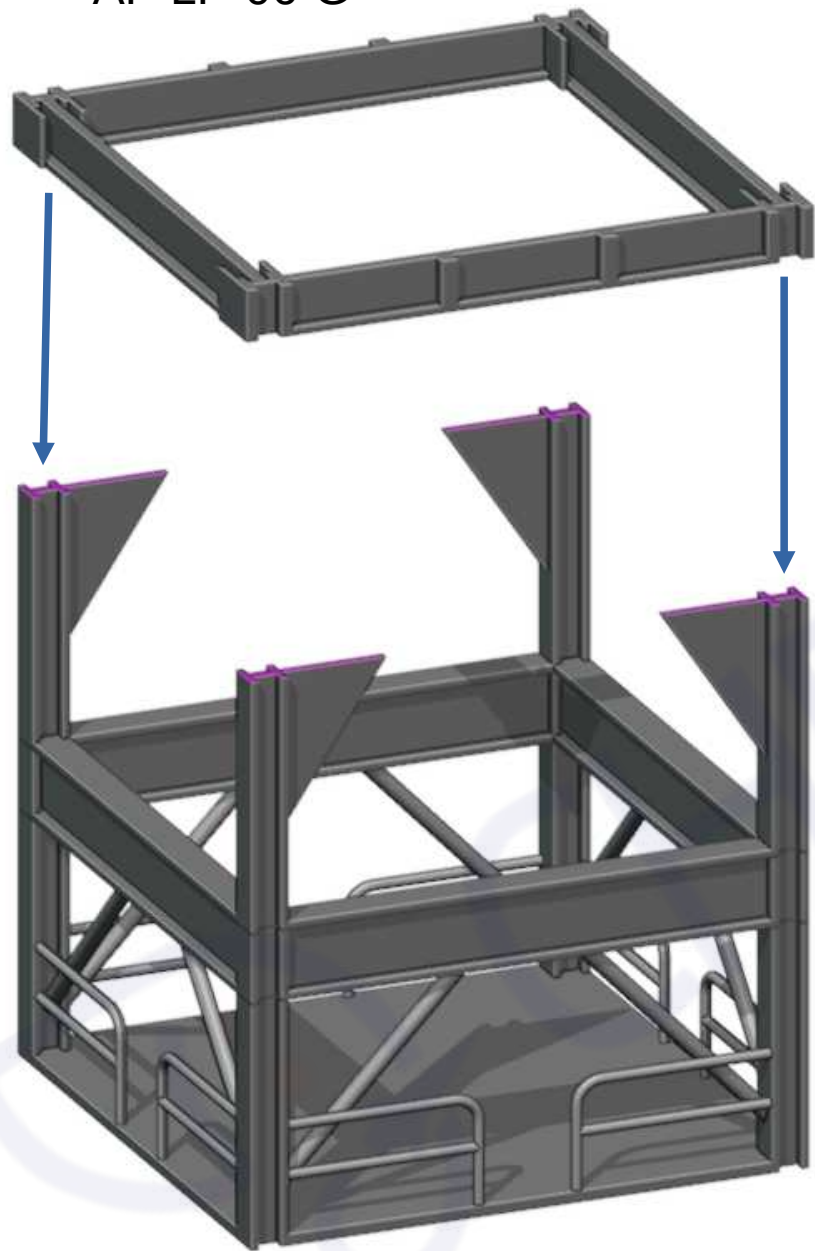


Check the orientation

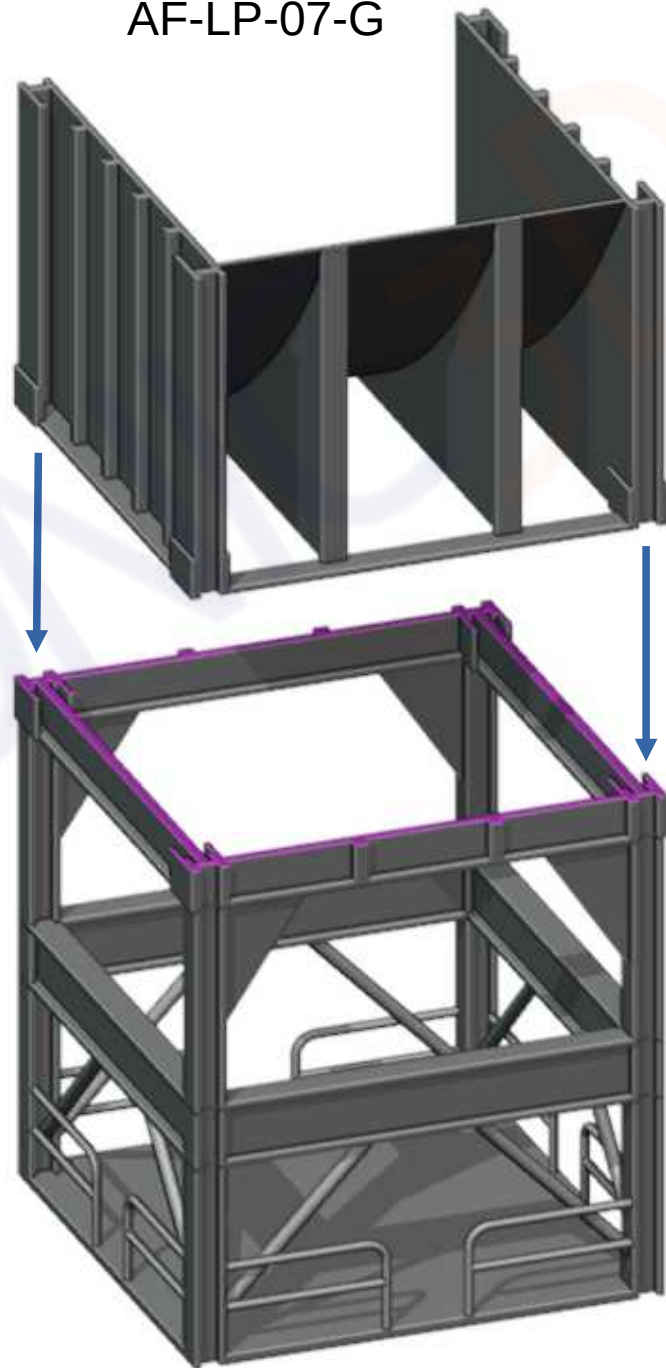
AF-LP-05-G



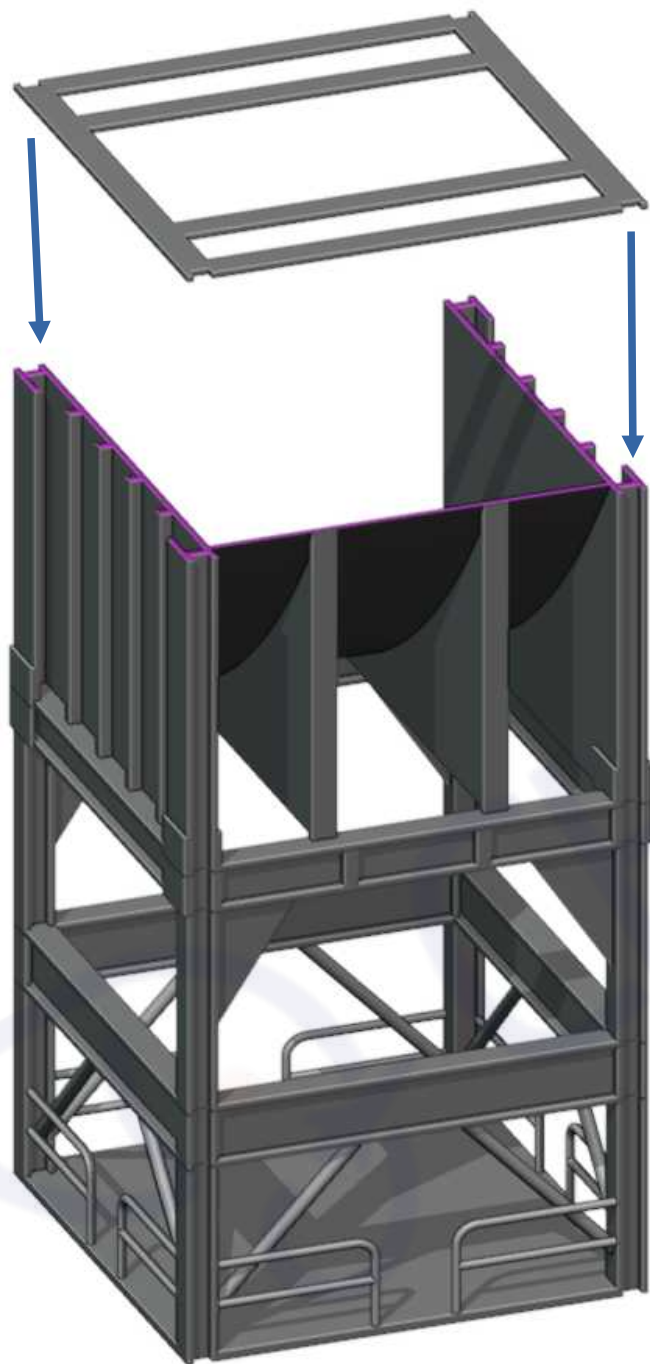
AF-LP-06-G



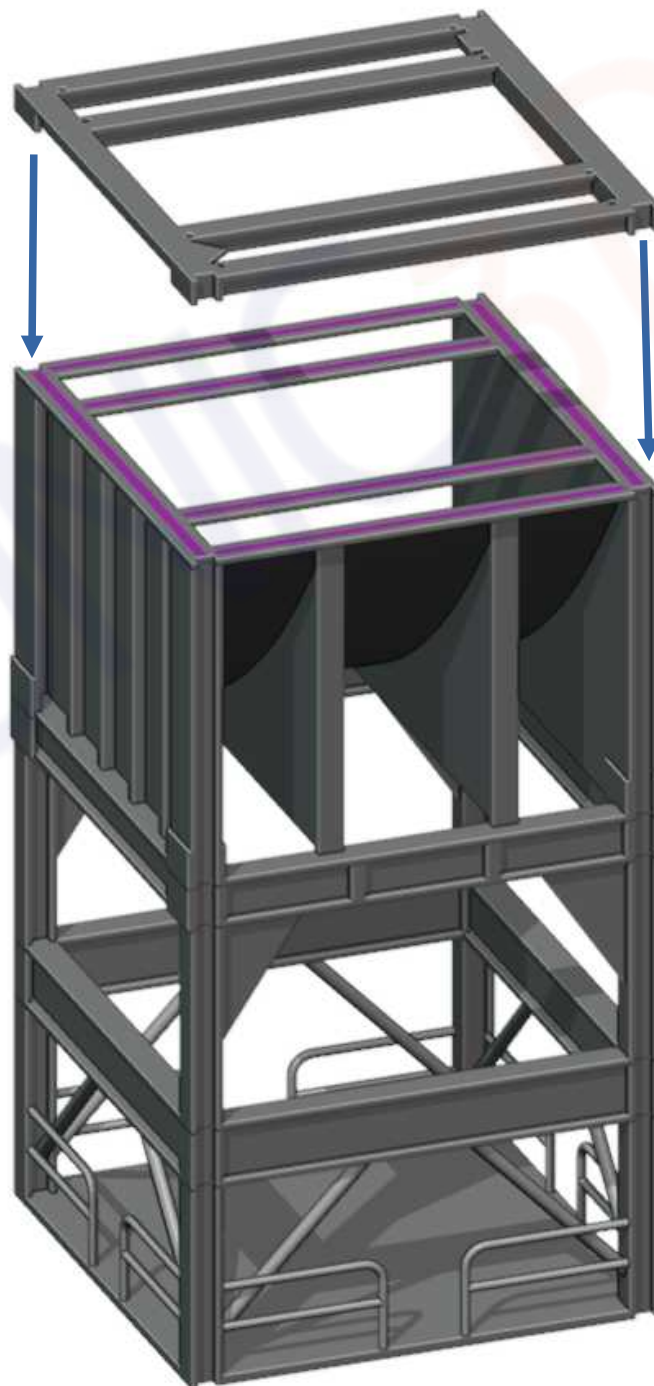
AF-LP-07-G



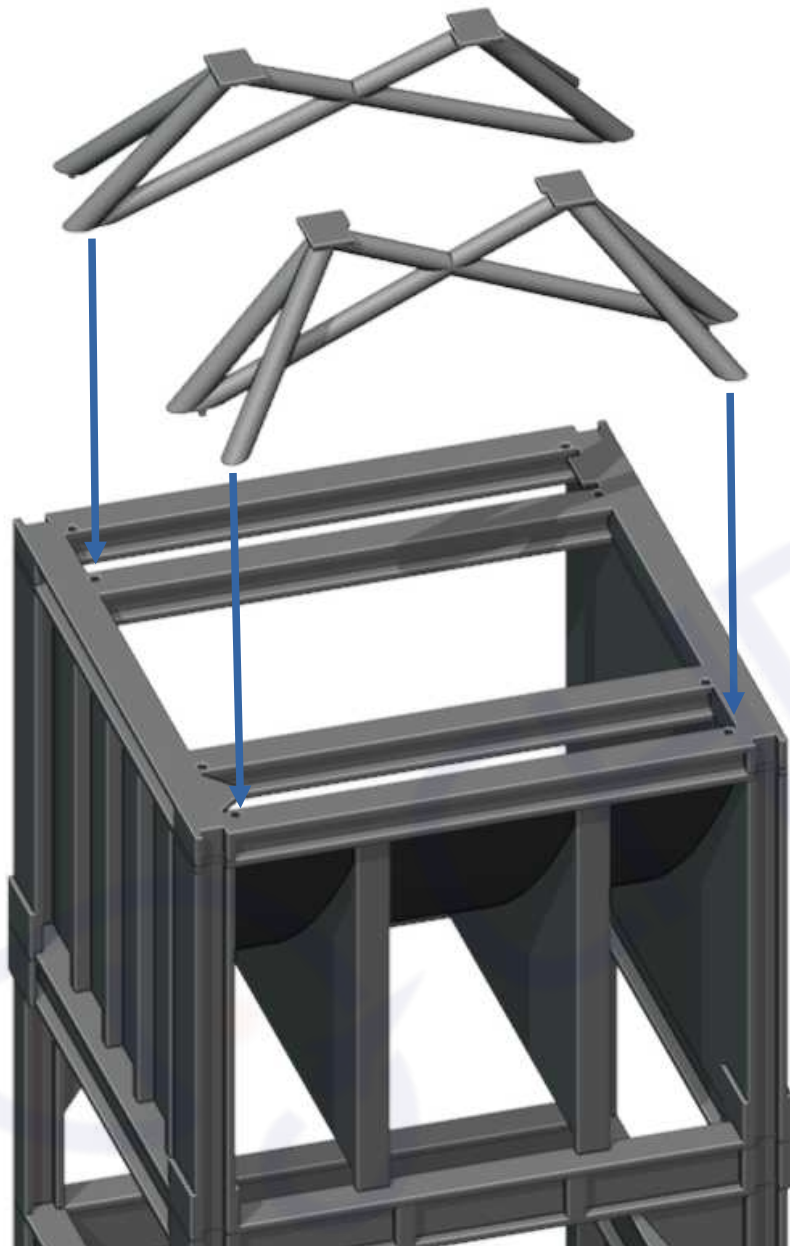
AF-LP-08-G



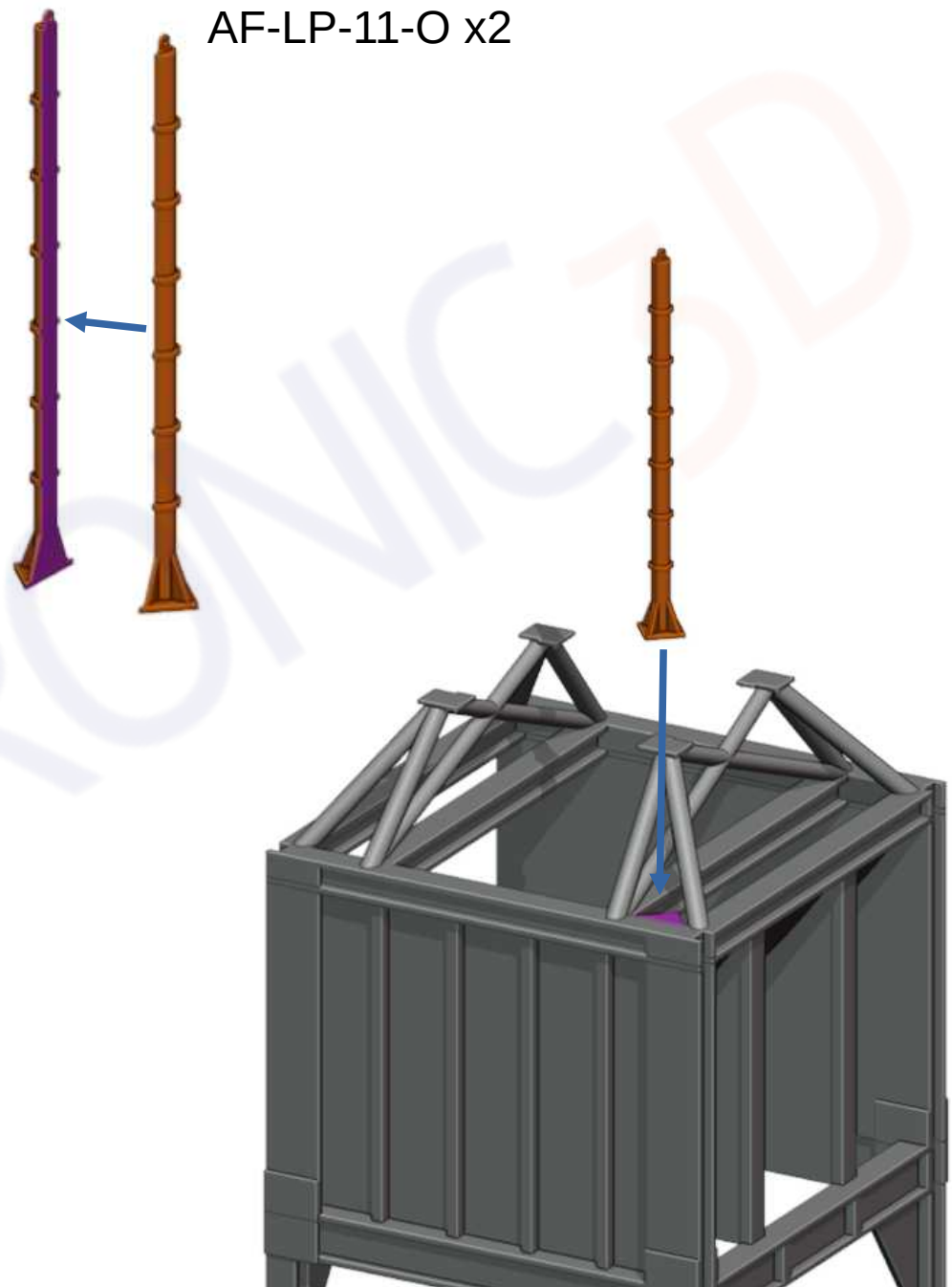
AF-LP-09-G



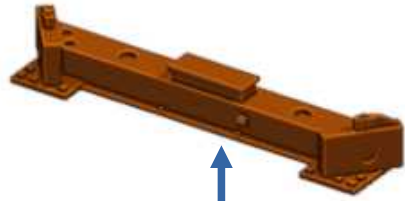
AF-LP-10-G x2



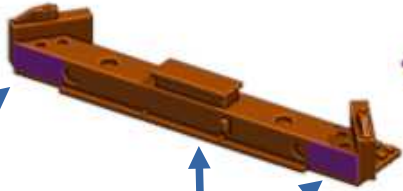
AF-LP-11-O x2



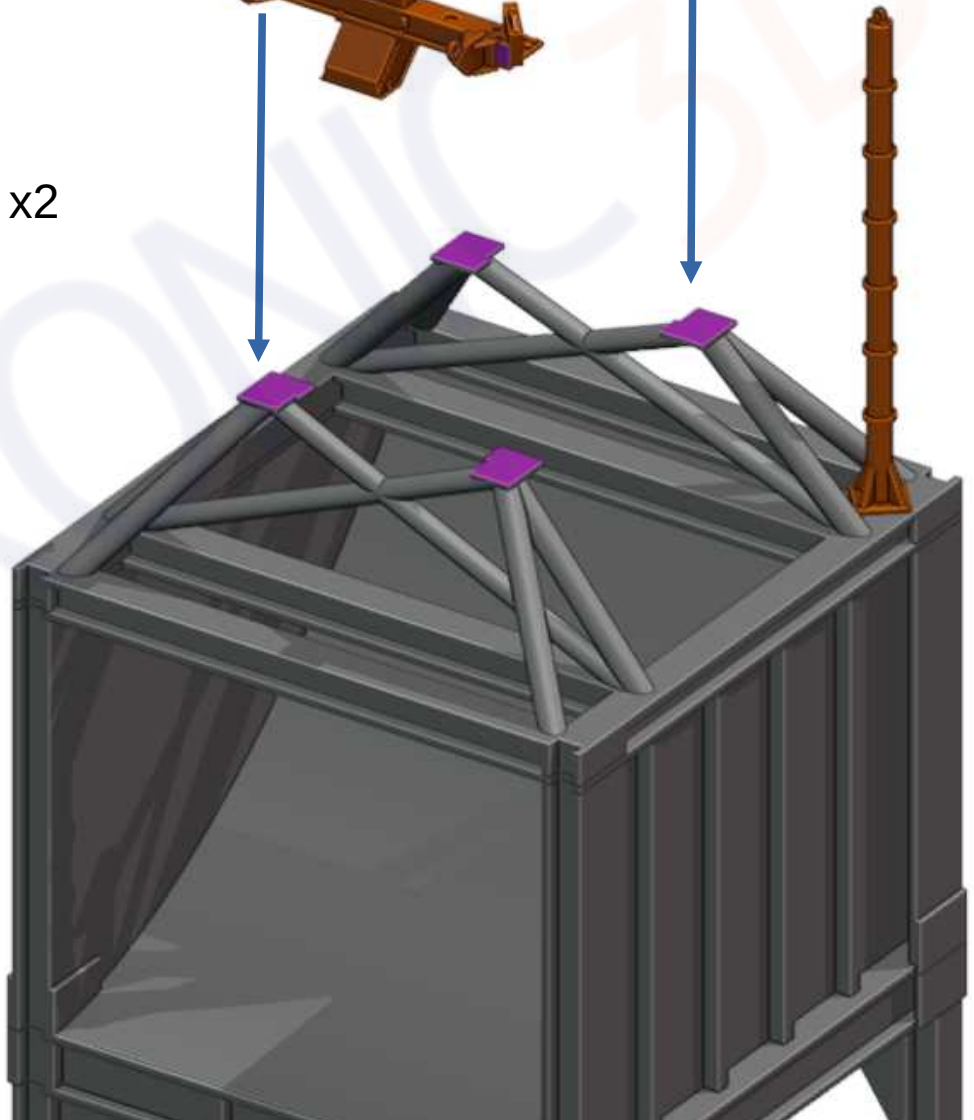
AF-LP-12-O x2

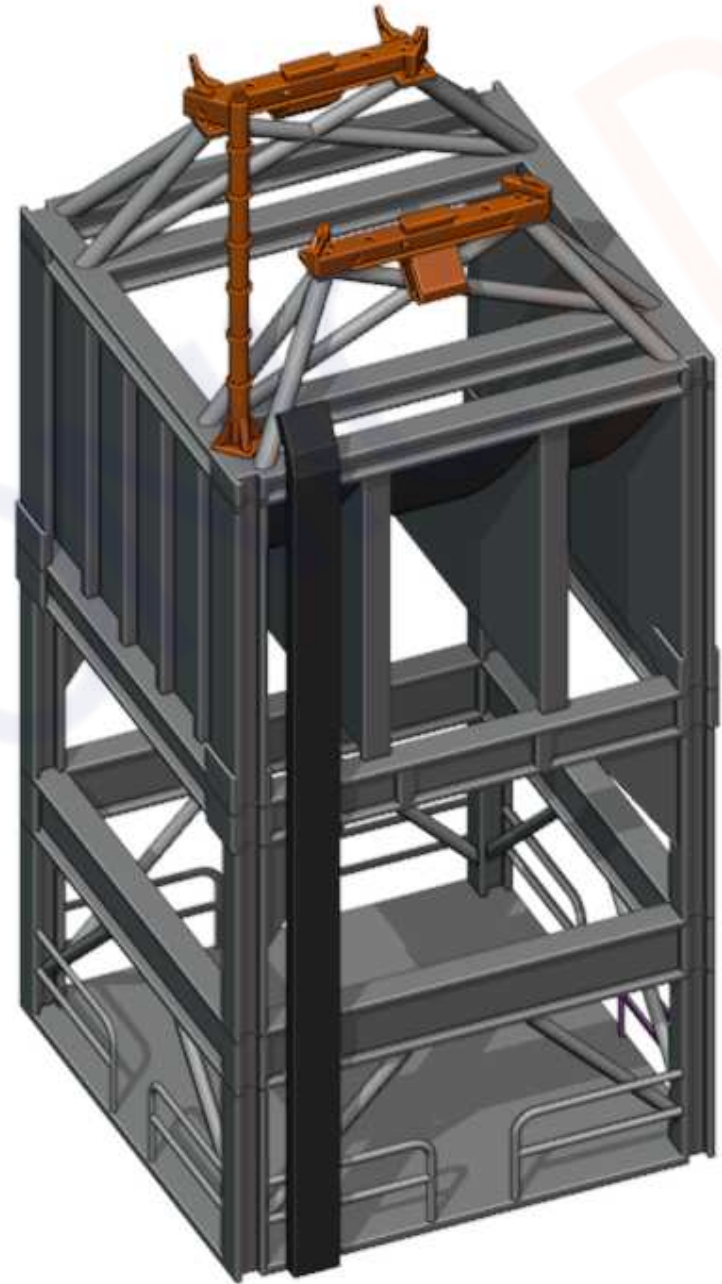
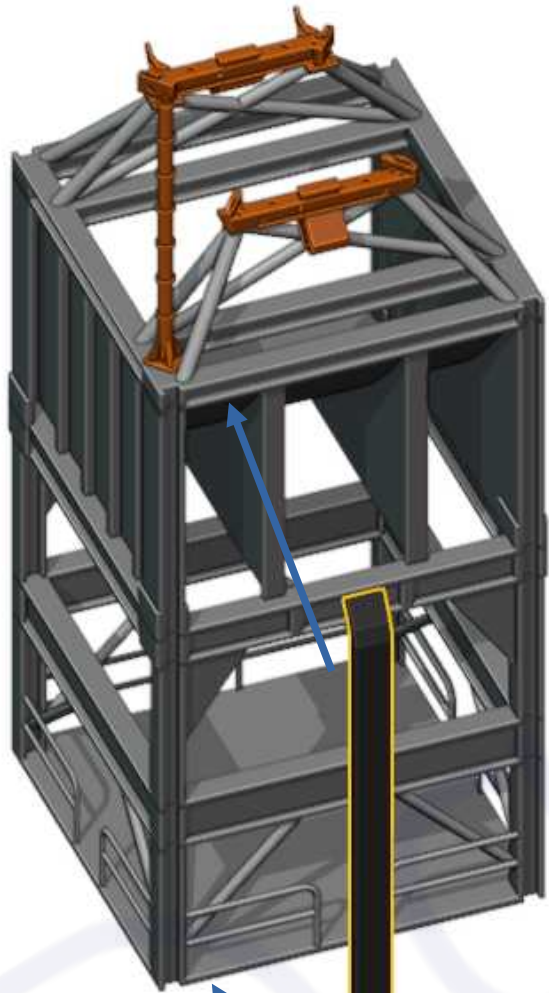


AF-LP-13-O x2

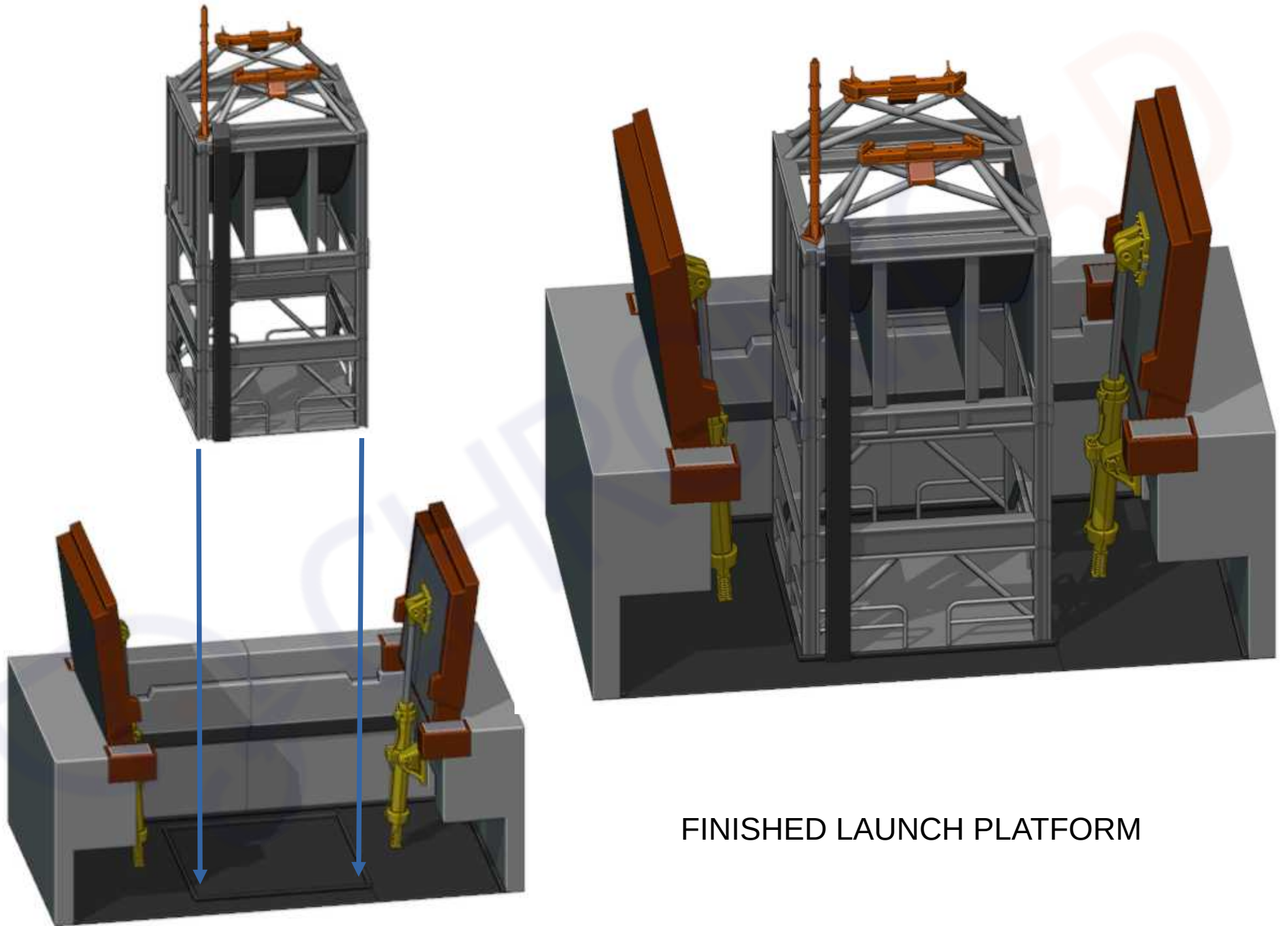


AF-LP-14-O x2





AF-LP-15-Bk

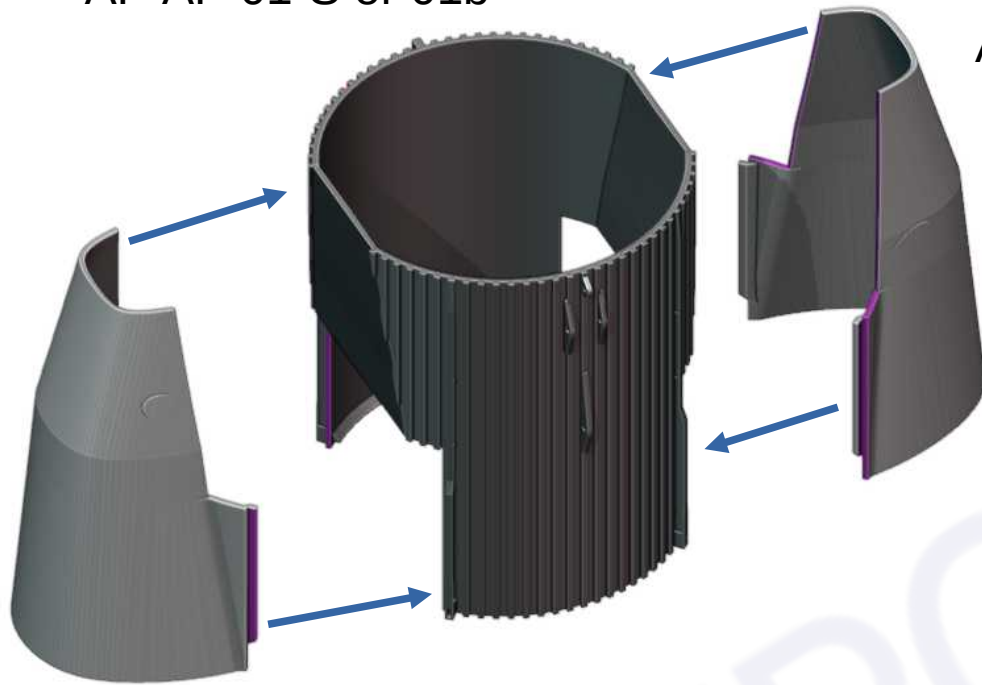


FINISHED LAUNCH PLATFORM

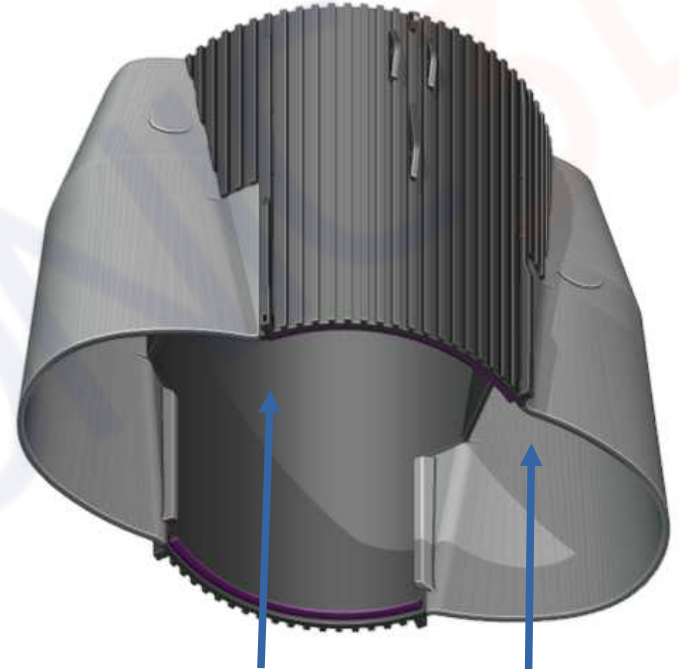
ATLAS F ICBM



AF-AF-01-S or 01b



AF-AF-03-W

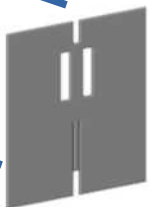


AF-AF-02-W

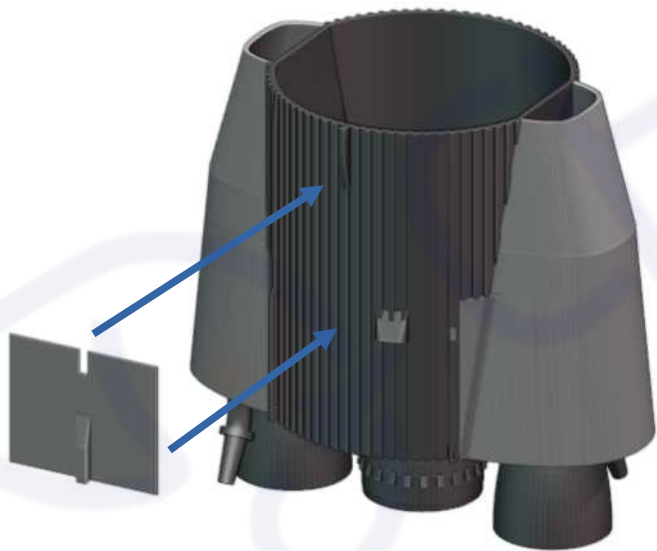
AF-AF-04-S



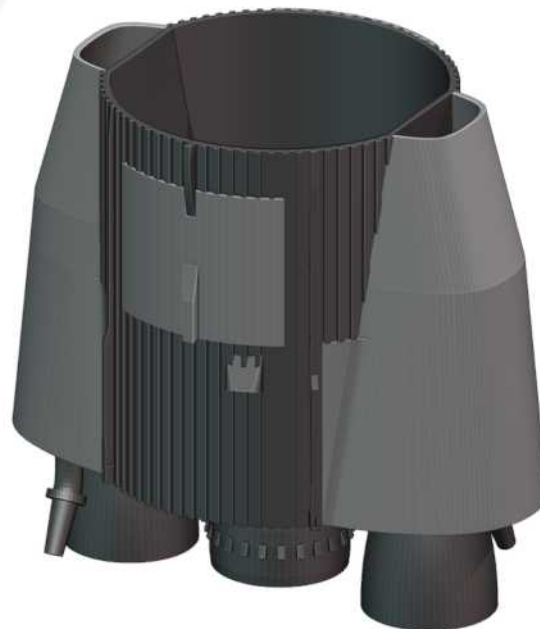
AF-AF-05-W



Bend the piece so that it fits the frame.

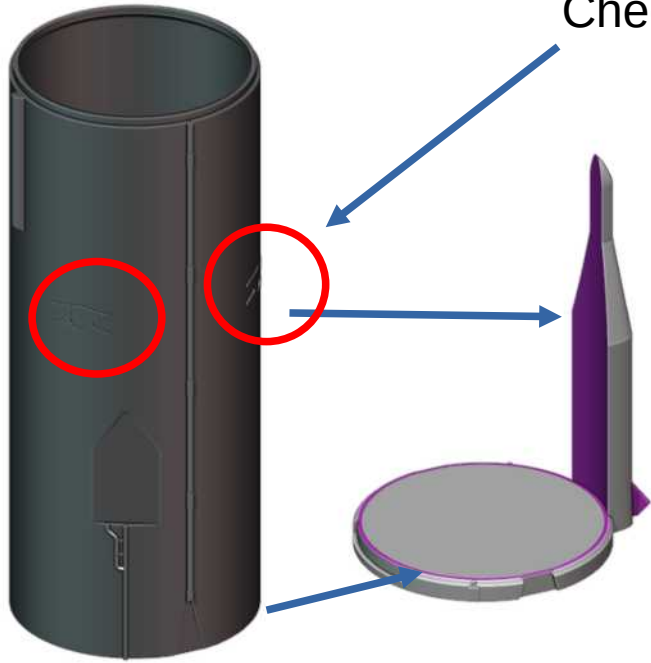


AF-AF-06-W



AF-AF-08-S or 08a 08b 08c

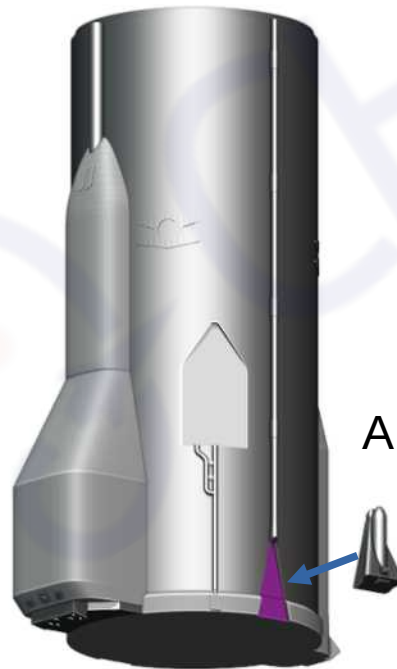
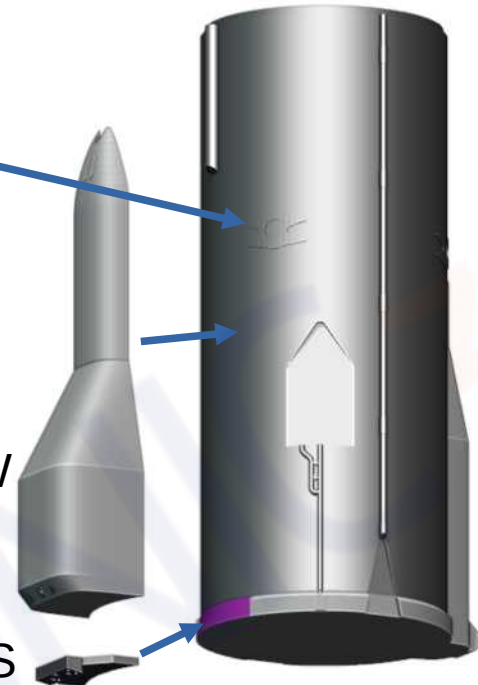
Check the orientation



AF-AF-07-W

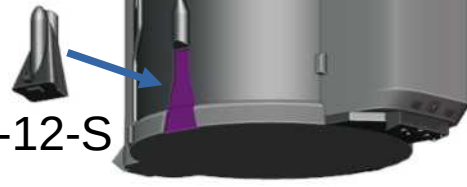
AF-AF-09-W

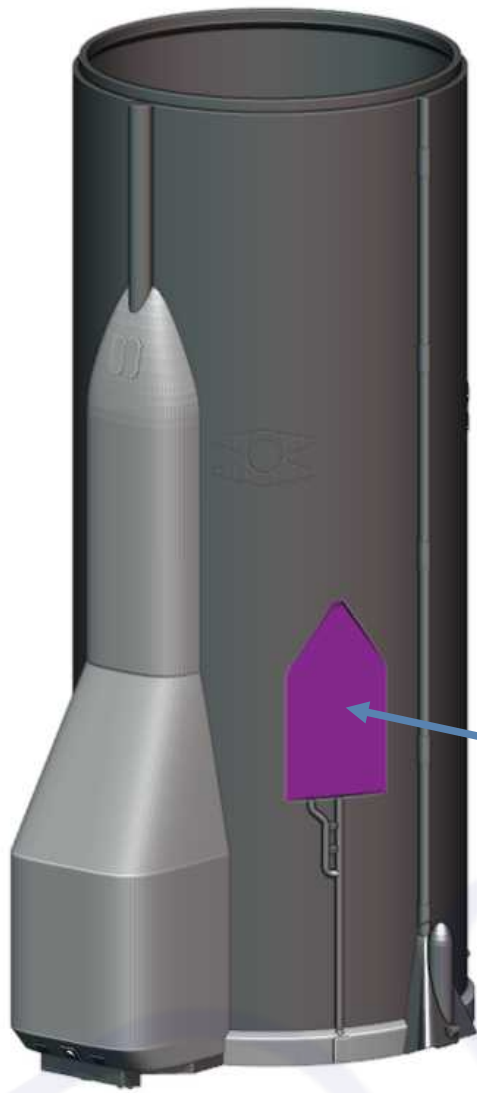
AF-AF-10-S



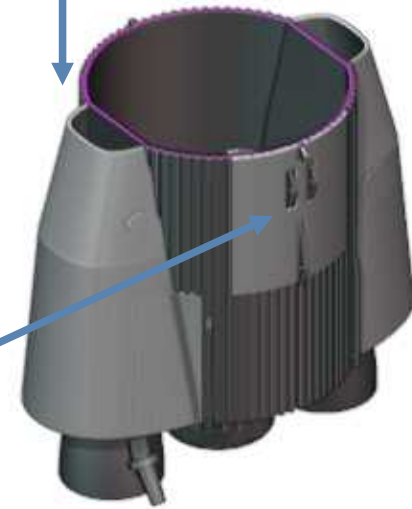
AF-AF-11-S

AF-AF-12-S

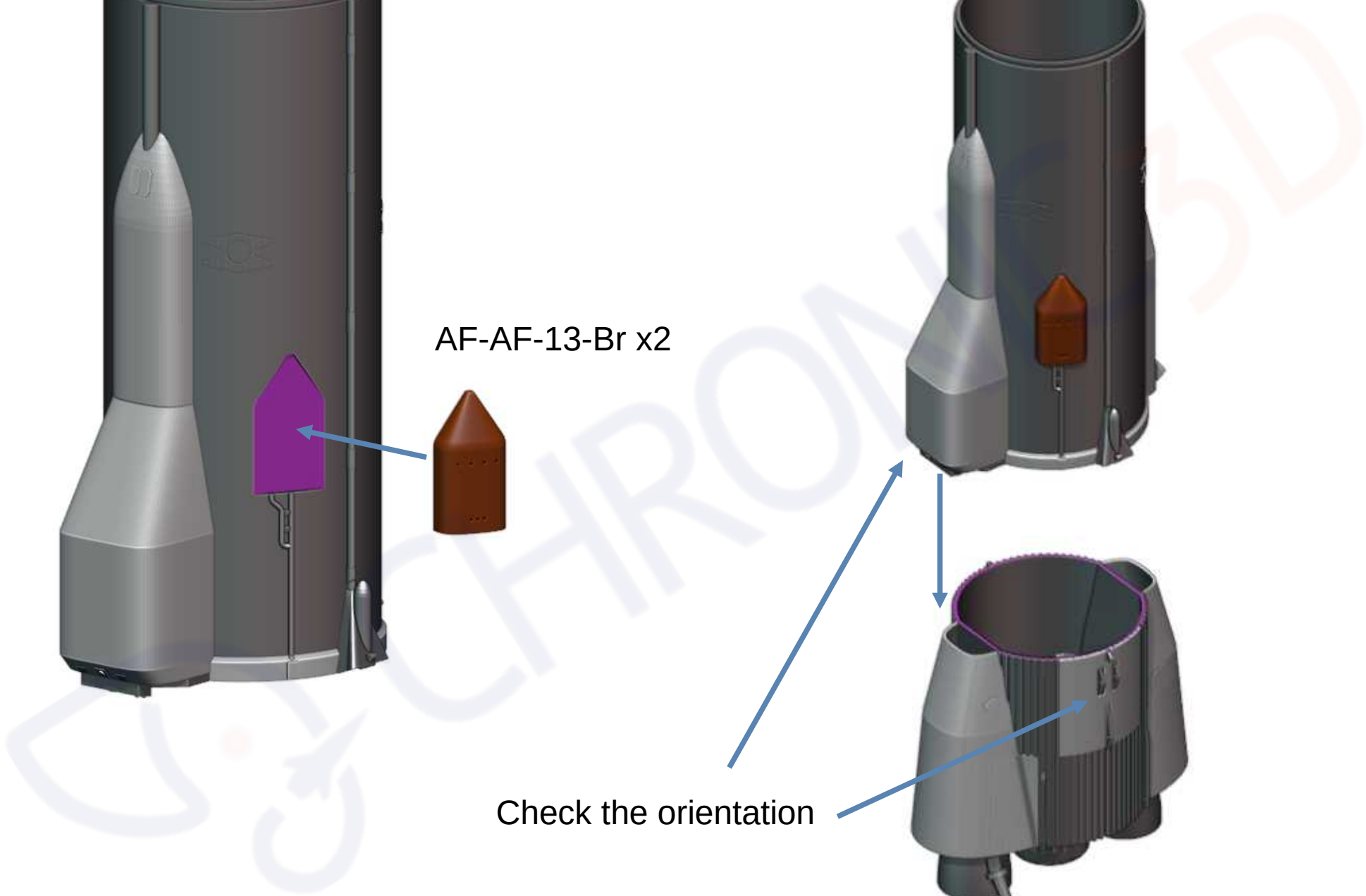


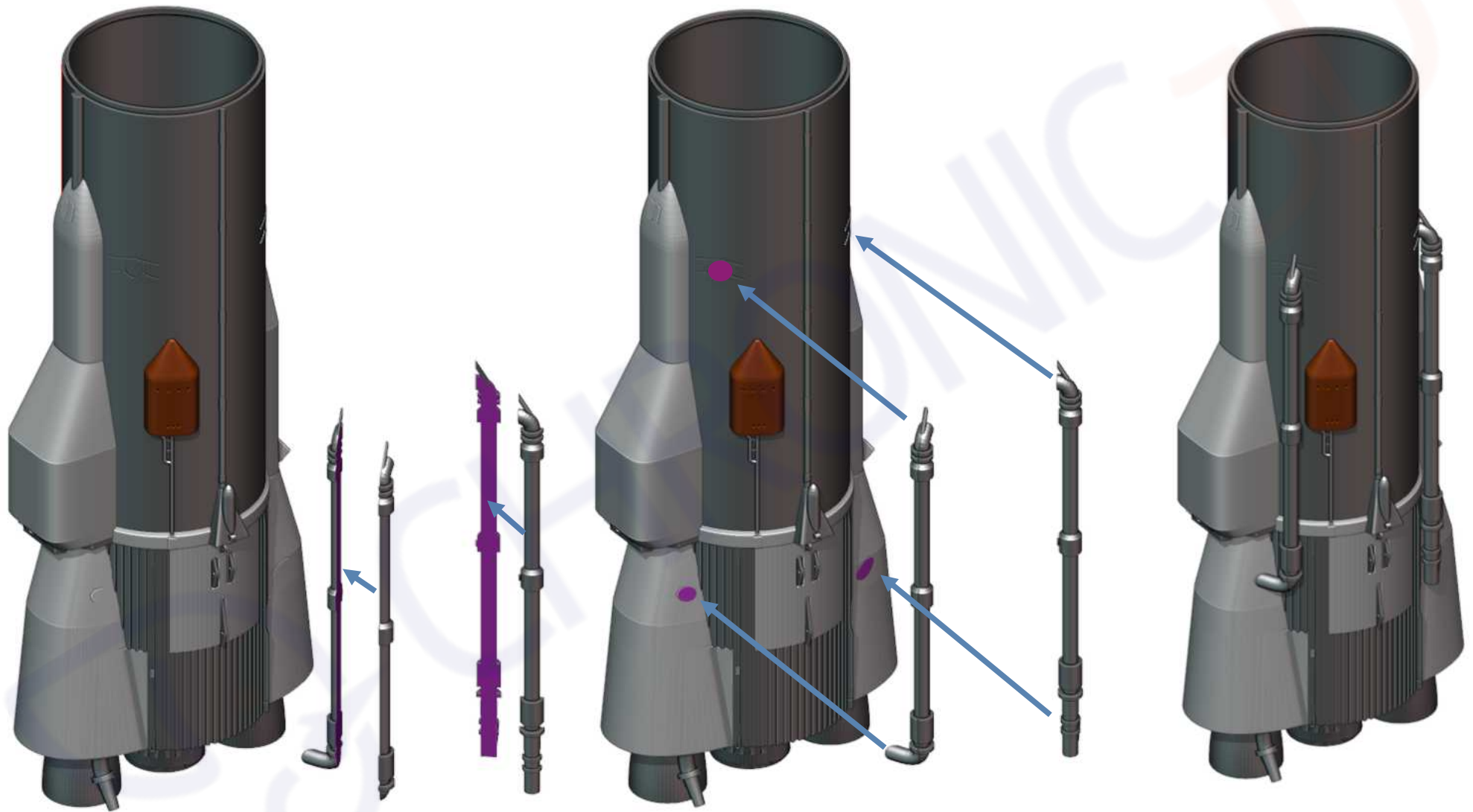


AF-AF-13-Br x2



Check the orientation

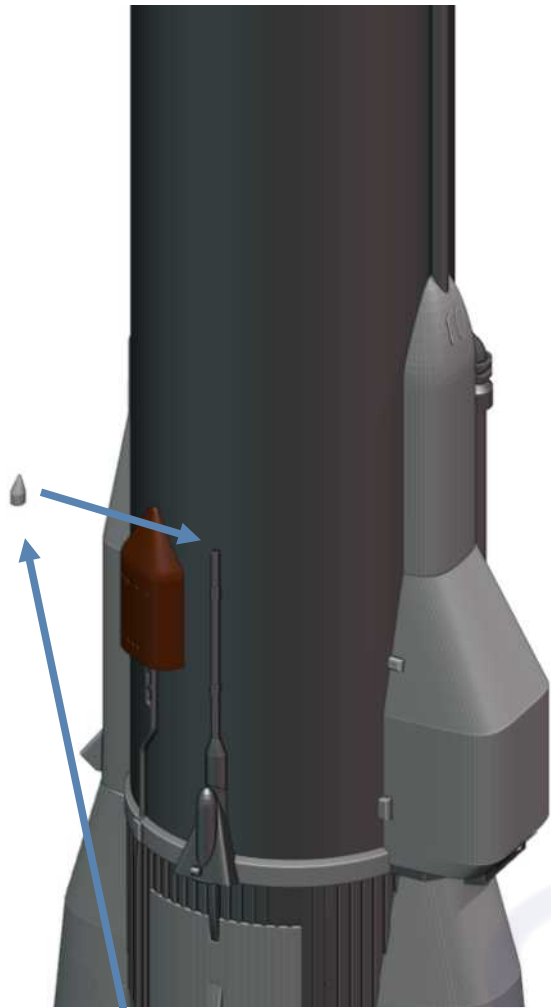




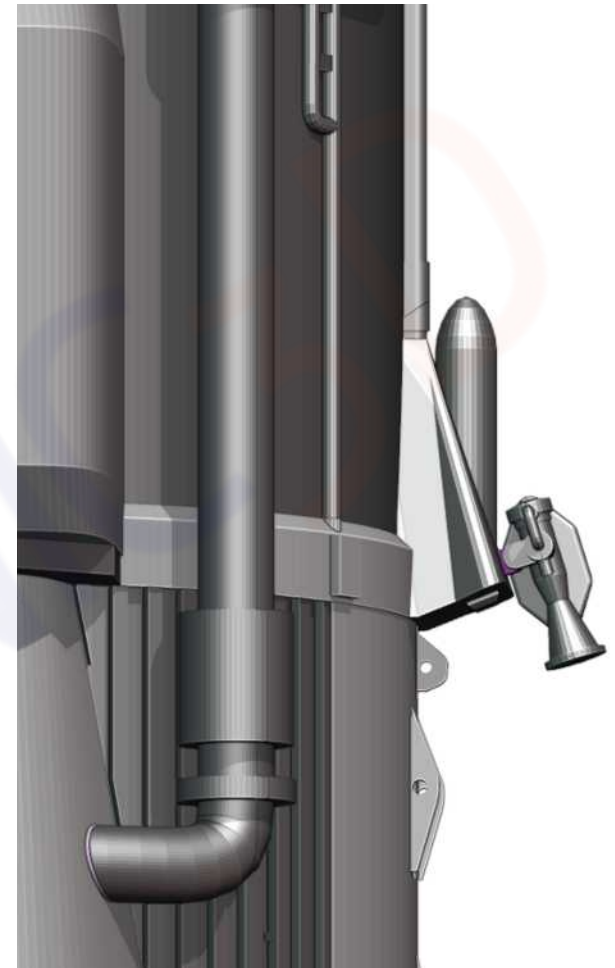
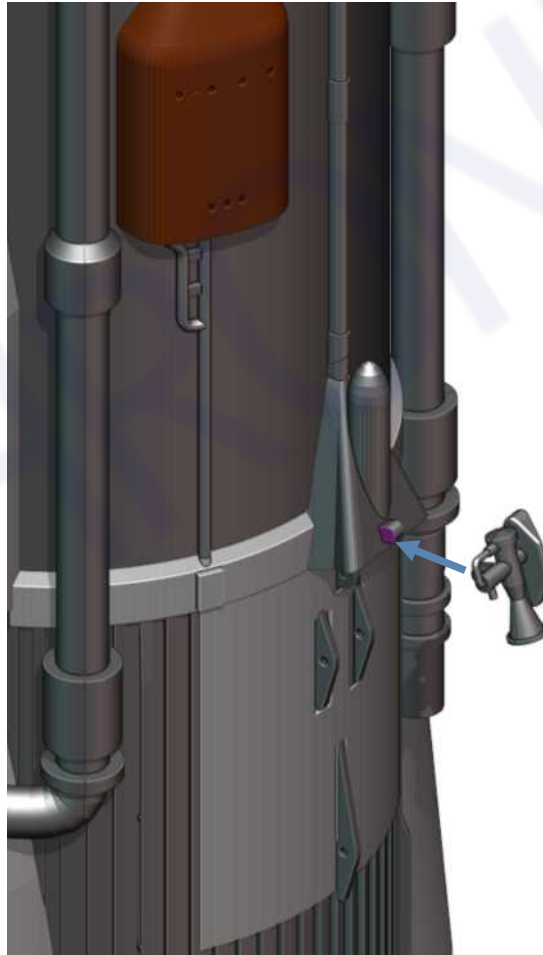
AF-AF-14-S AF-AF-15-S
AF-AF-16-S AF-AF-17-S



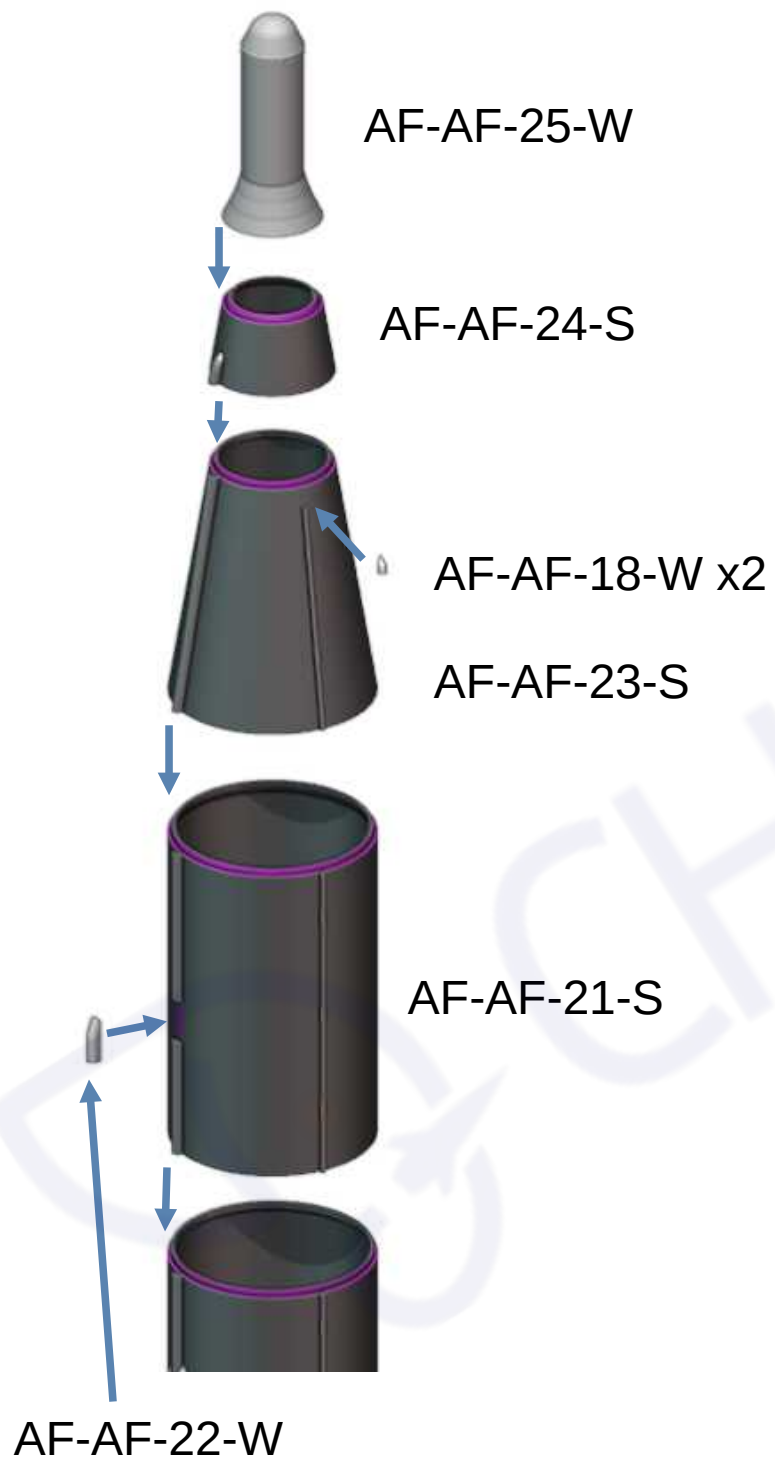
AF-AF-19-S x2
AF-AF-20-S x2



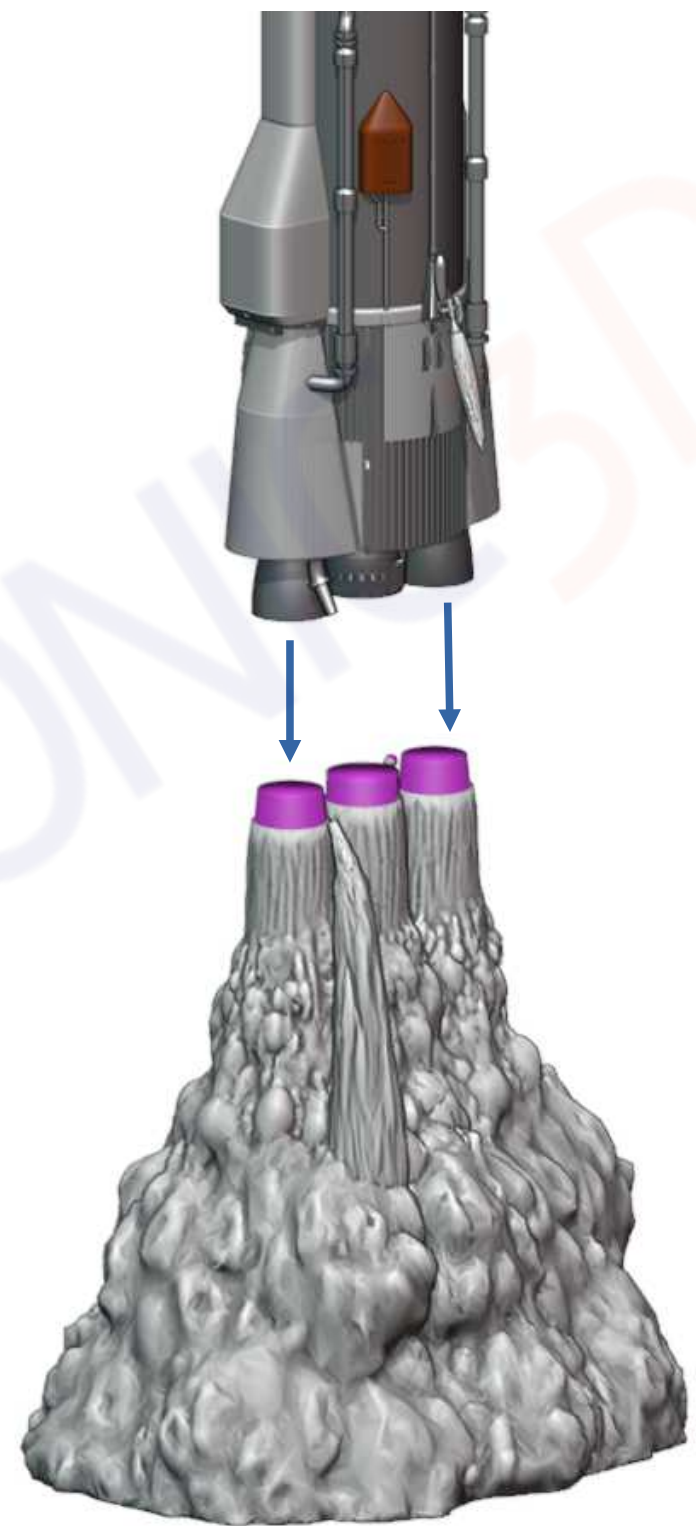
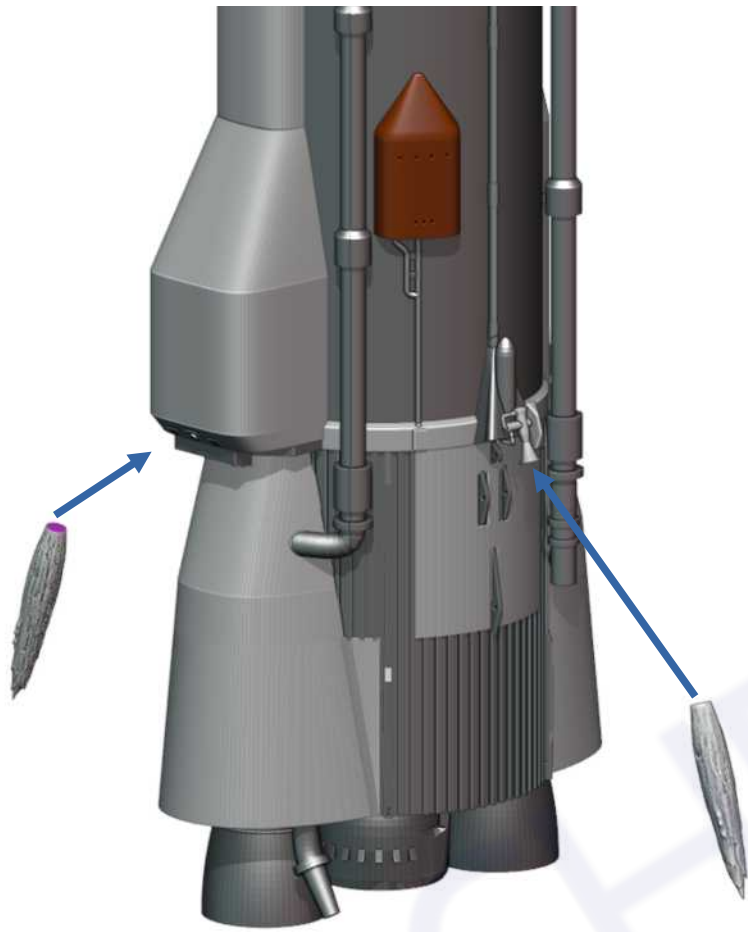
AF-AF-18-W x2



Do the same at the rear



FINISHED LAUNCHER

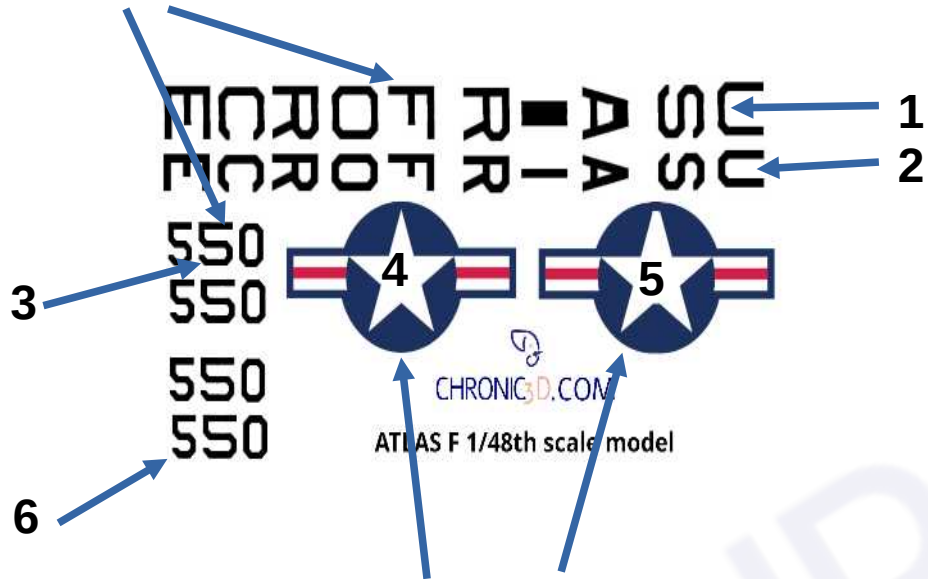


CHROMA 3D



FINISHED ATLAS F ICBM

Print black logos with transparent waterslide decal sheet



Print stars with white waterslide decal sheet

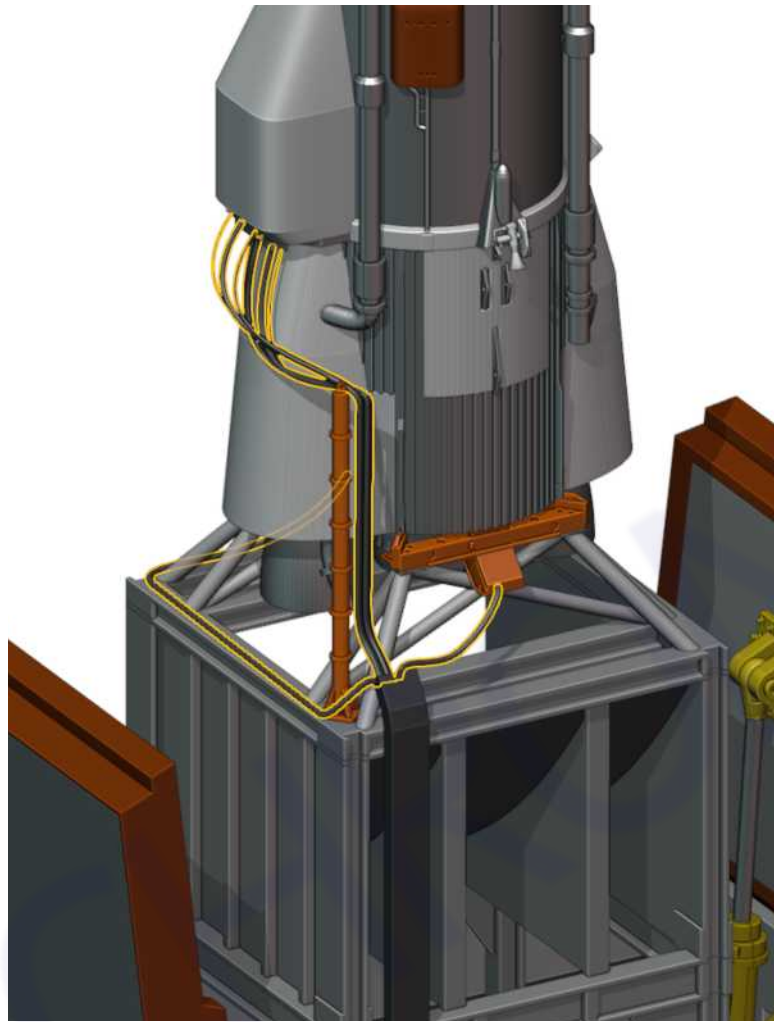
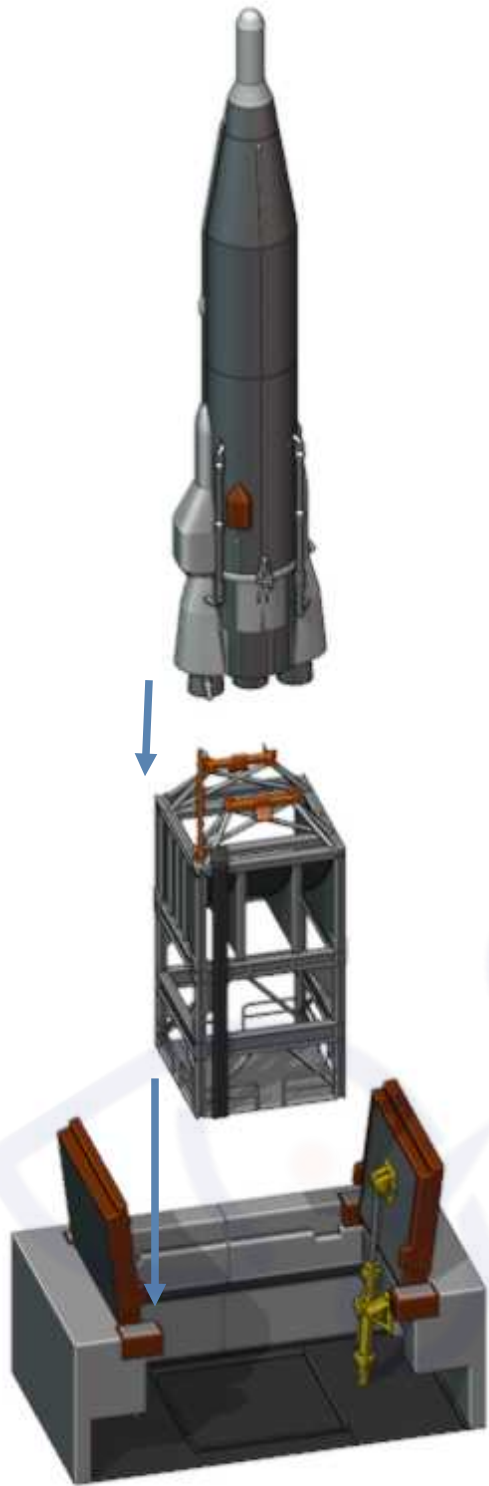
Use the LOGOS_ATLAS_F.PNG file



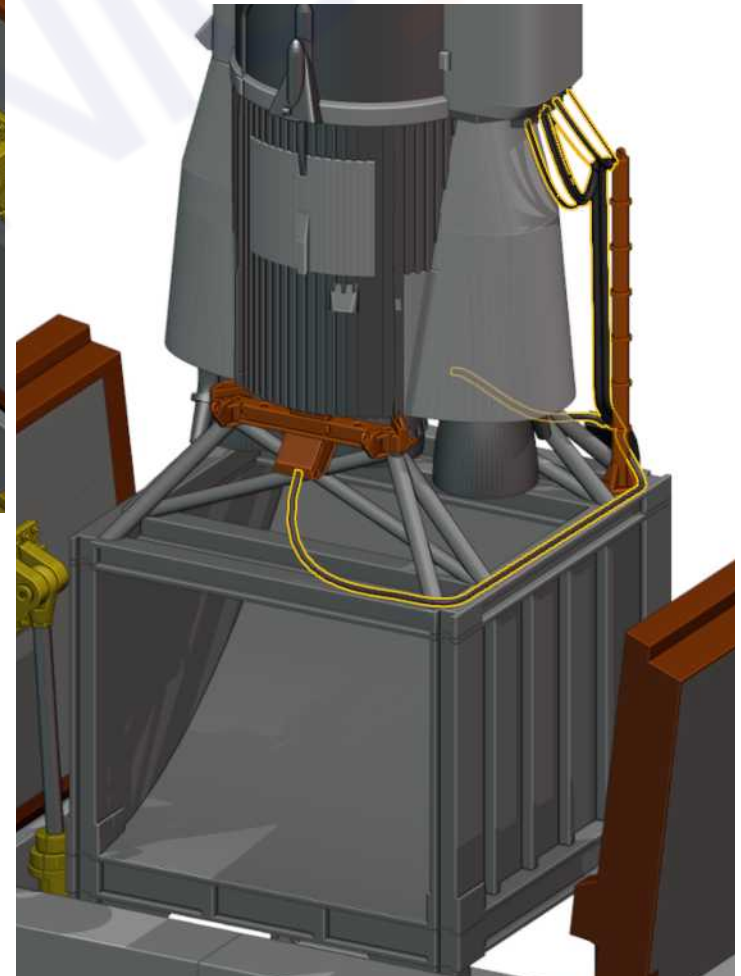
ATLAS F ON LAUNCH PLATFORM

« SPIRIT OF OPLIN »





Use some black filament
For utility wiring



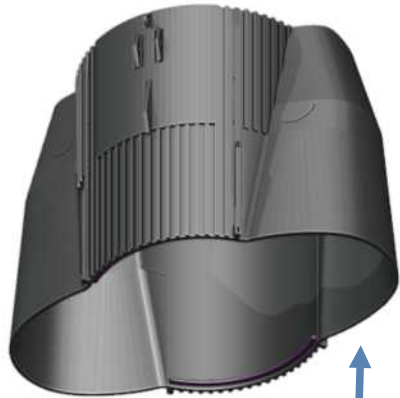


FINISHED MODEL

ATLAS F
NAVSTAR LAUNCHER



AF-AN-02-S



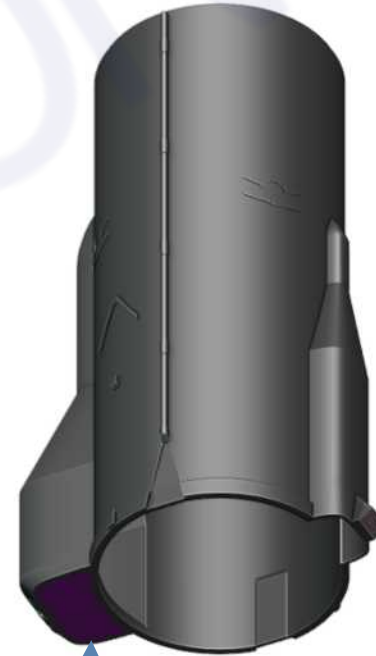
AF-AN-01 S



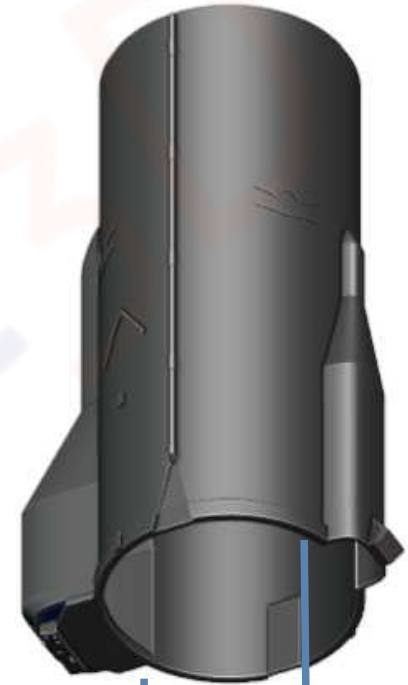
AF-AN-03-S

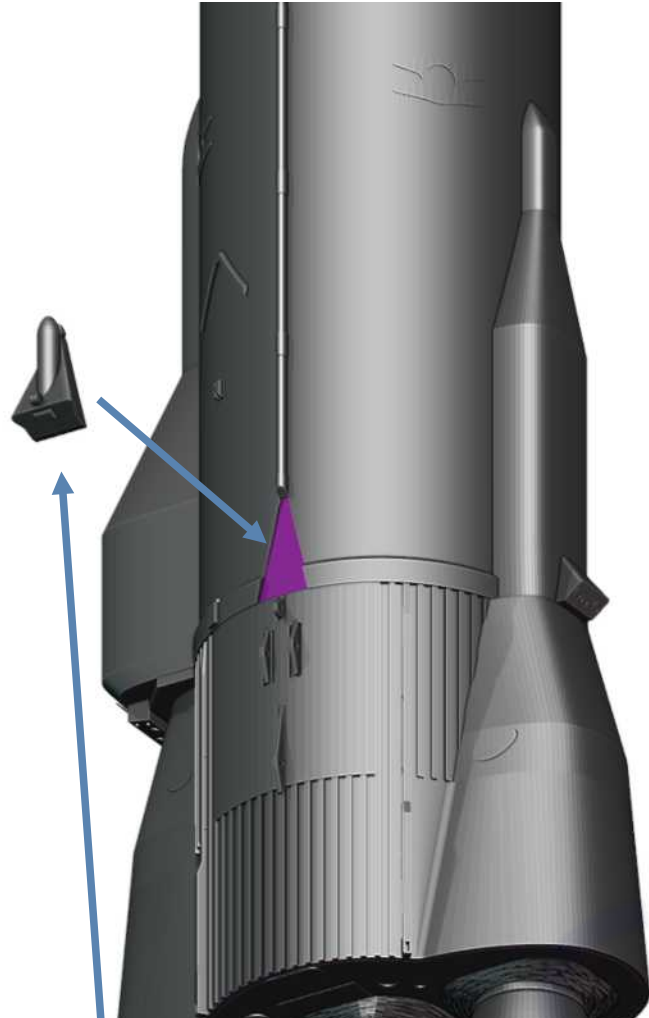


Remove support



AF-AN-04-S



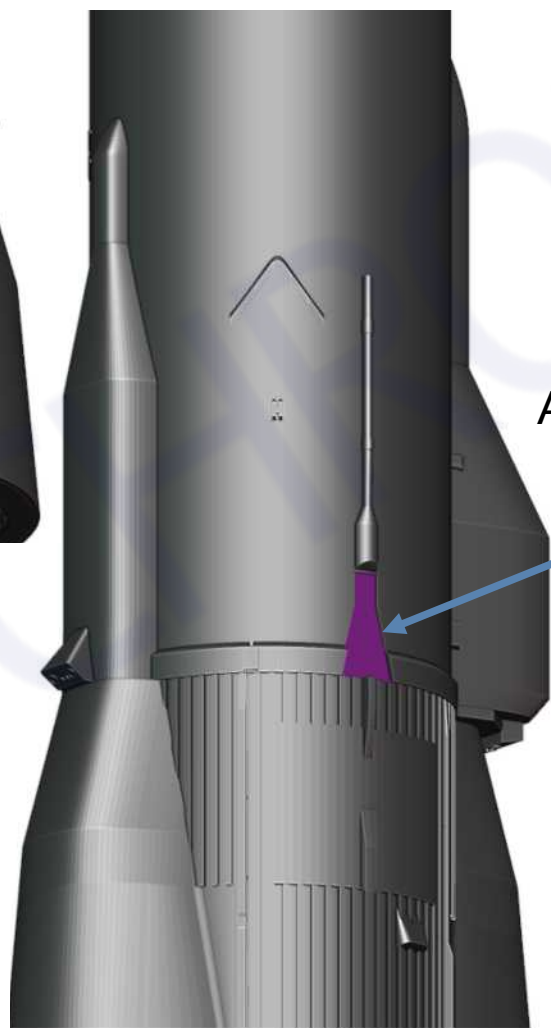
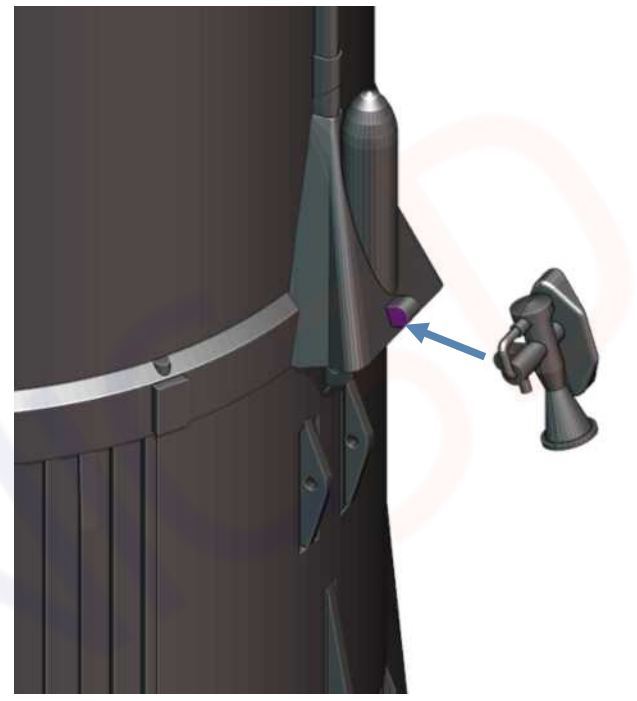


AF-AN-05-S

AF-AN-07-S x2



AN-AF-08-S x2



AF-AN-06-S



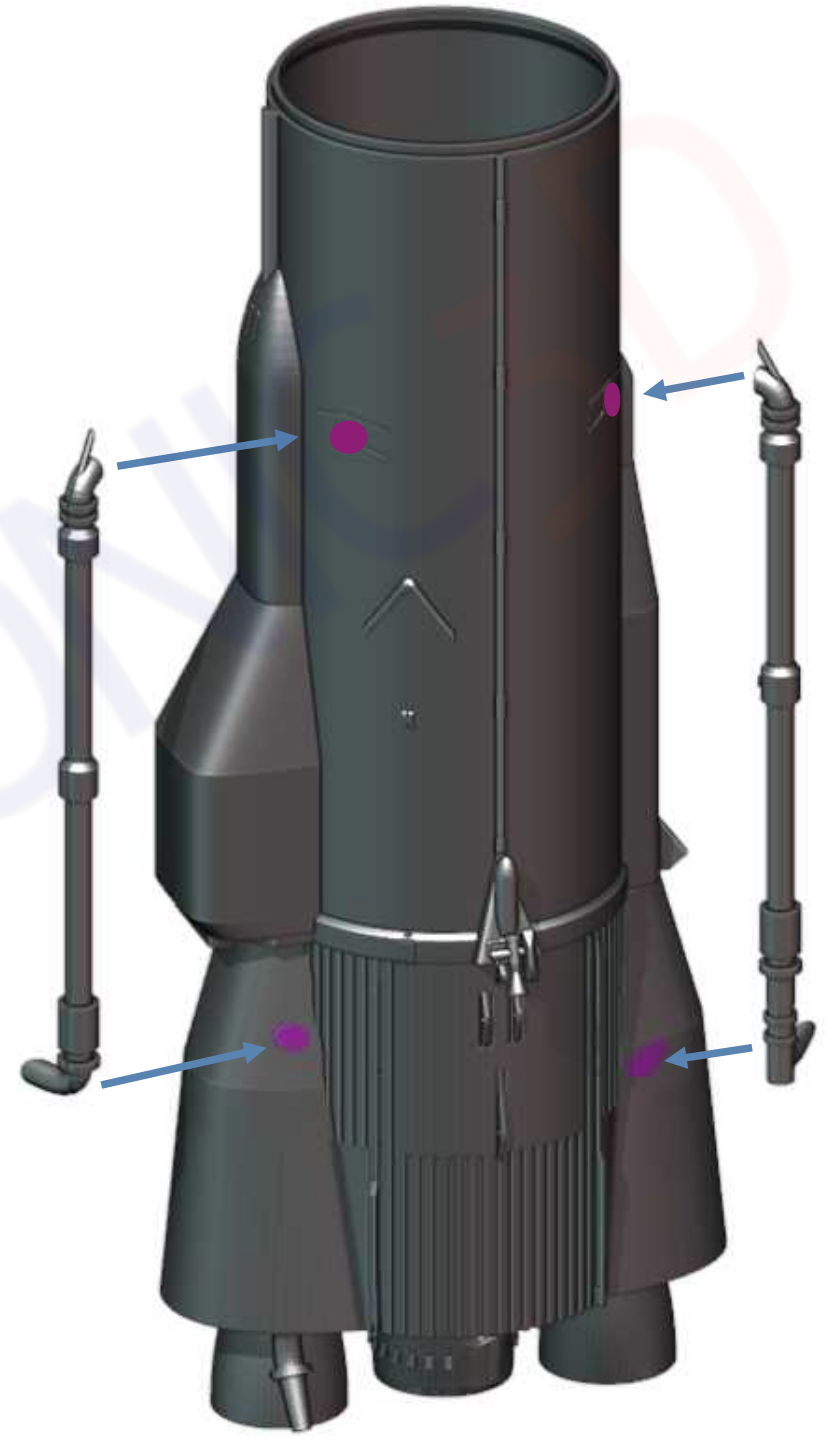
AF-AN-09-S



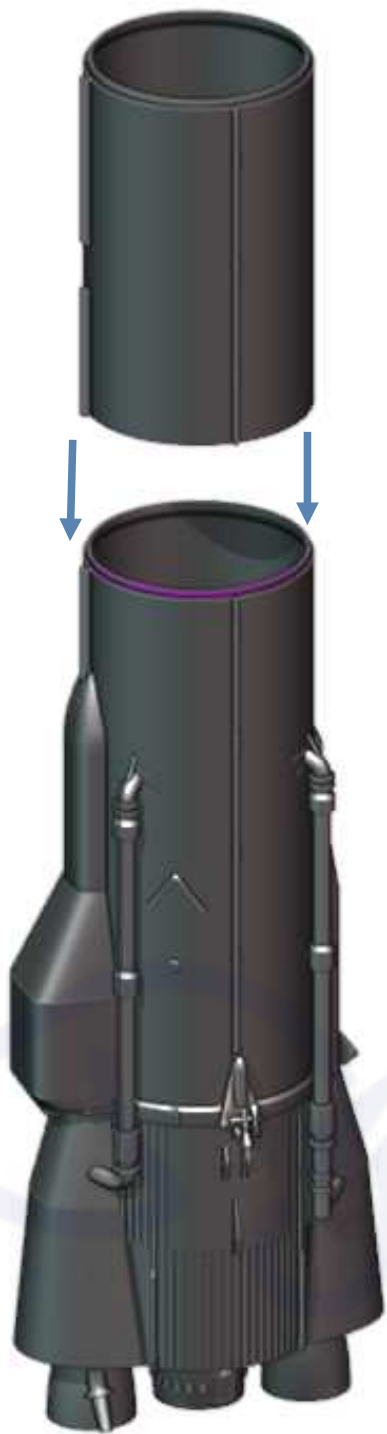
AF-AN-11-S



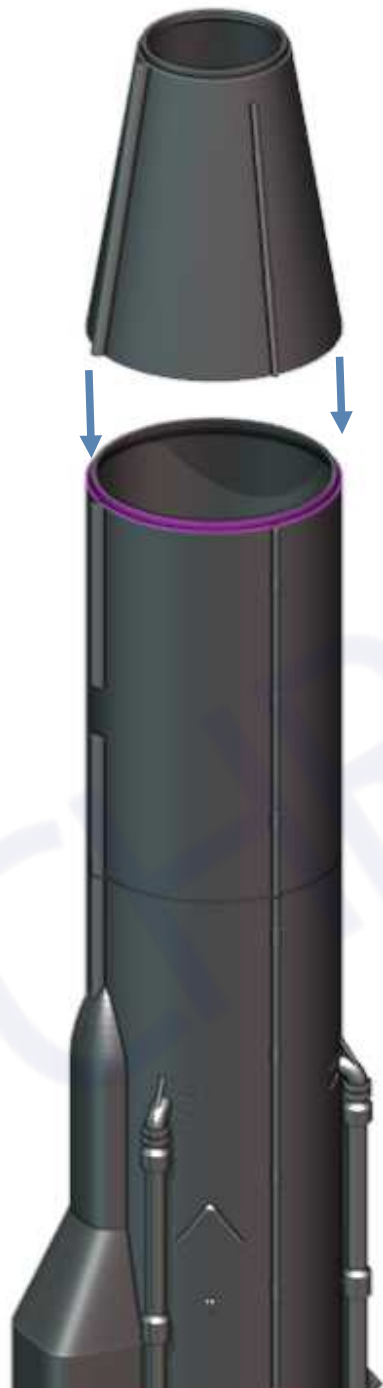
AF-AN-12-S



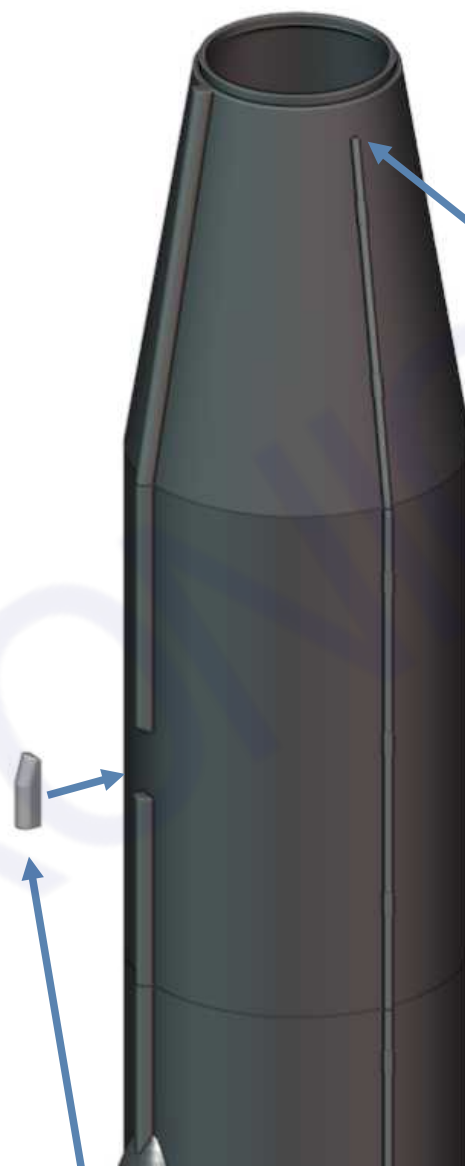
AN-AF-13-S



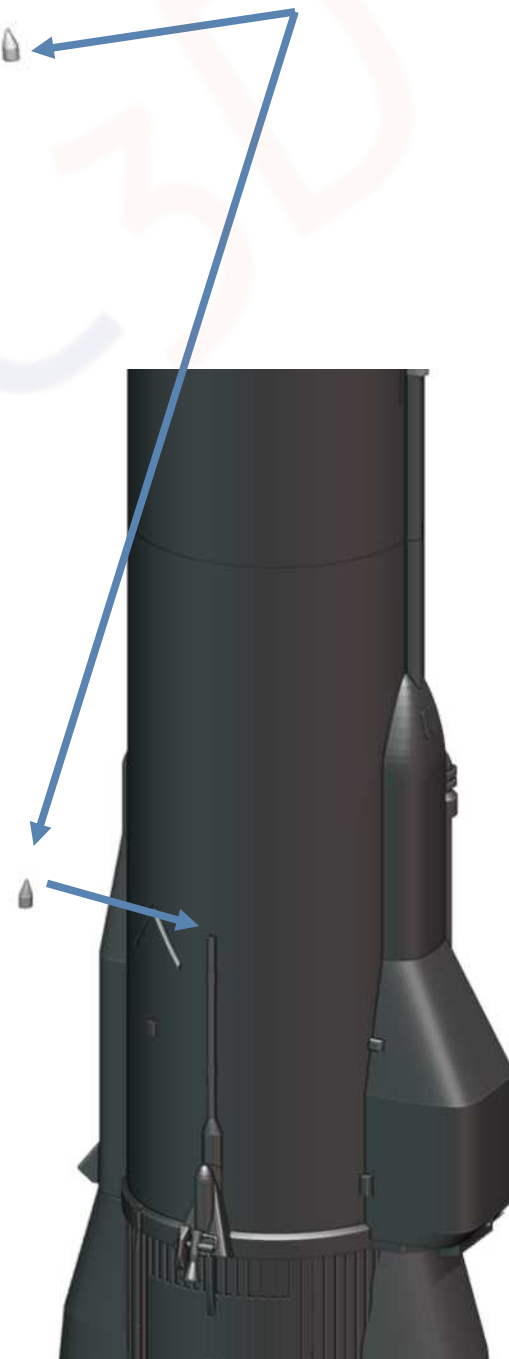
AN-AF-14-S



AN-AF-15-W



AN-AF-16-W x2





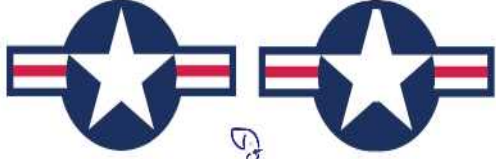
AF-AN-17-W



FINISHED
NAVSTAR LAUNCHER

US AIR FORCE
US AIR FORCE

550
550



CHRONIC3D.COM

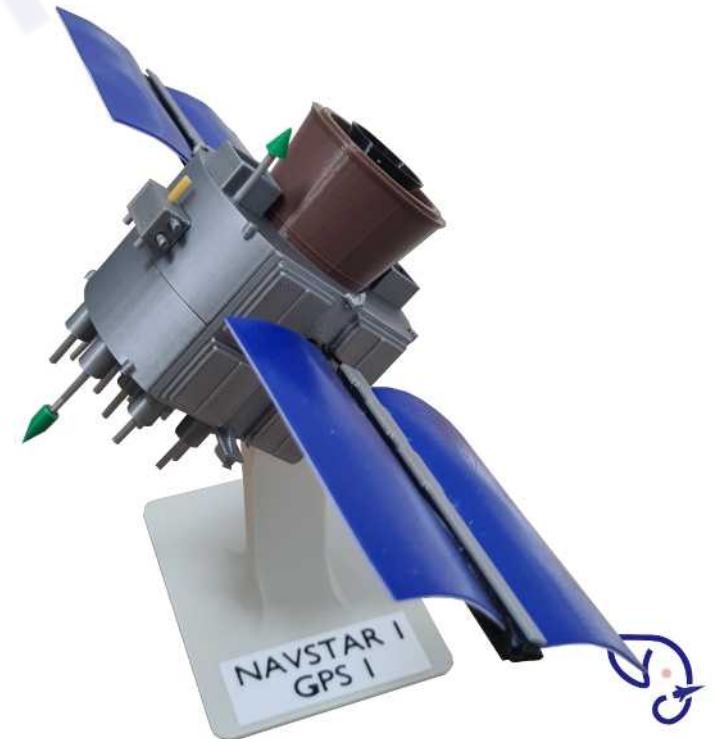
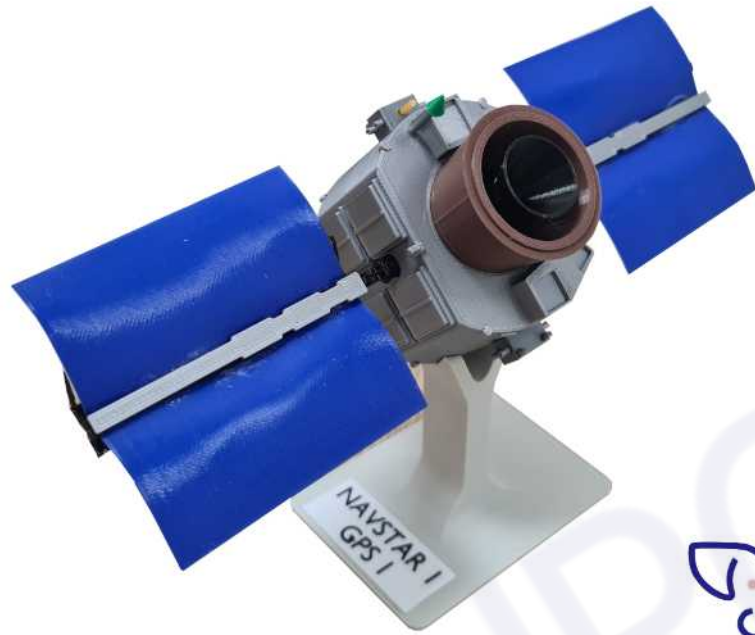
ATLAS F 1/48th scale model

6



6

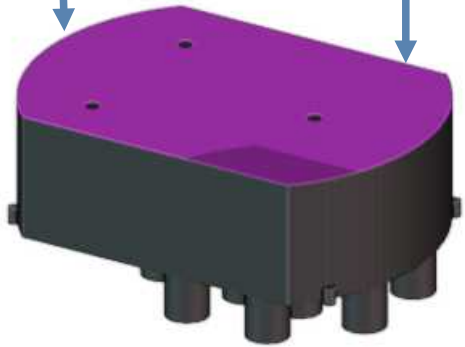
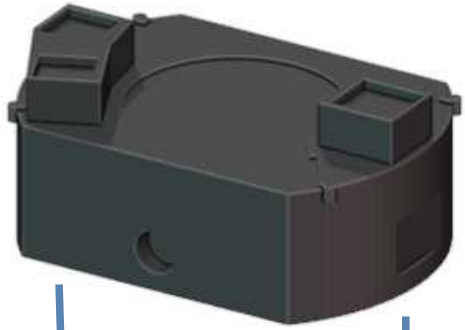




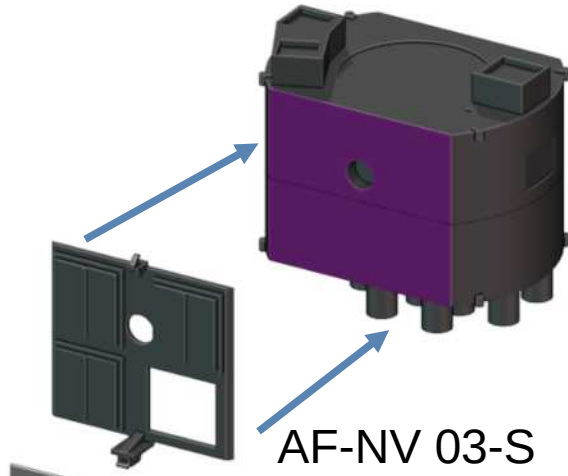
NAVSTAR SATELLITE

CHRONIC3D

AF-NV-01-S

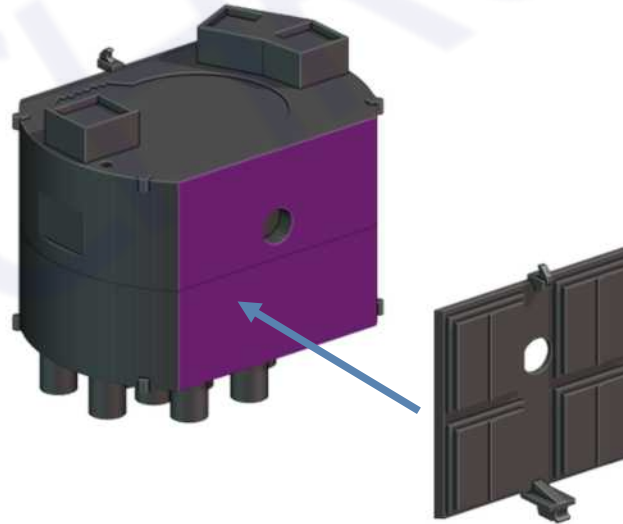


AF-NV-02-S



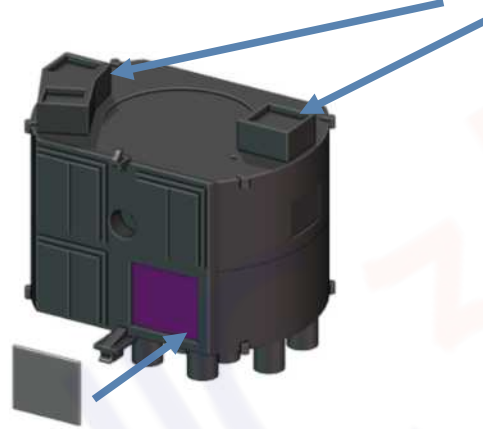
AF-NV 03-S

AF-NV-04-W



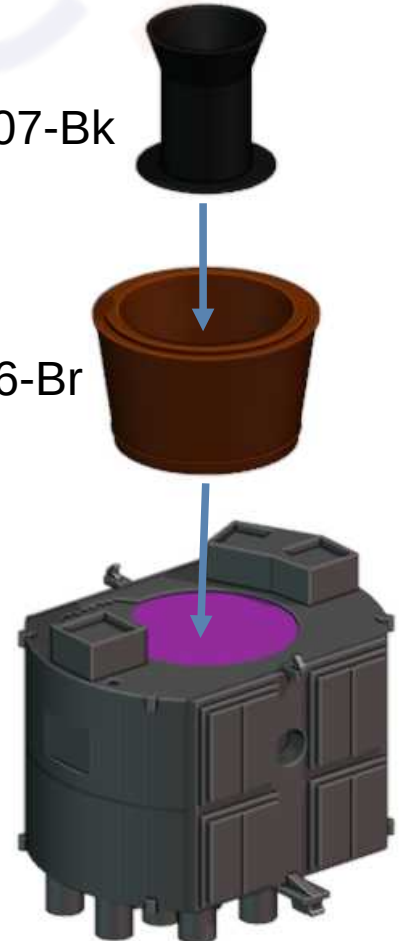
AF-NV-05-S

Single-surface mirrors



AF-NV-07-Bk

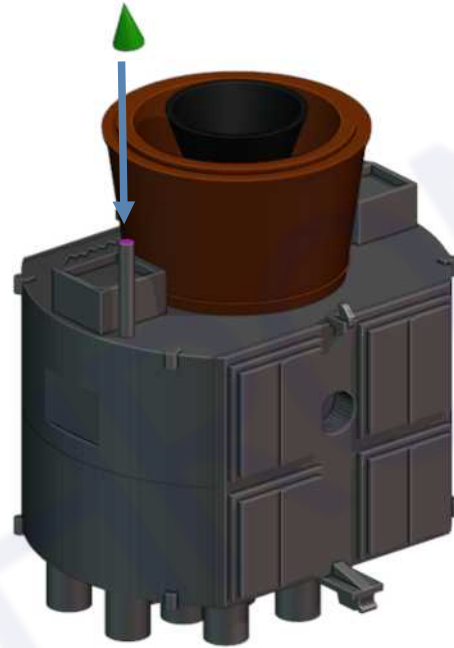
AF-NV-06-Br



Some 1,75 mm silver filament

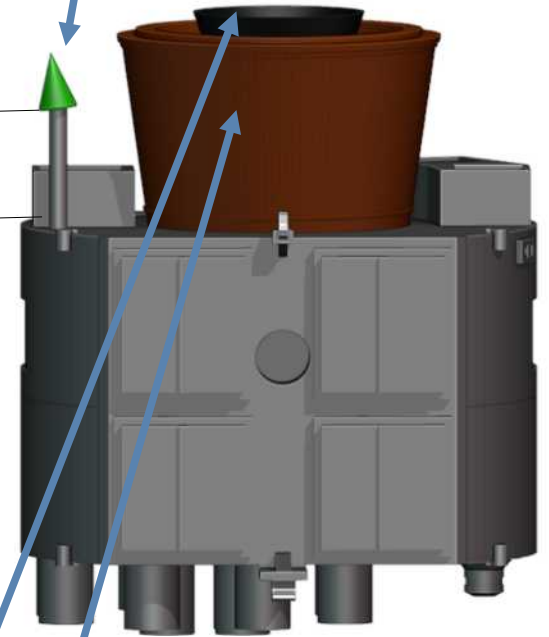


AF-NV-08-Gr



Attach the S-band antenna at a slight angle to the left.

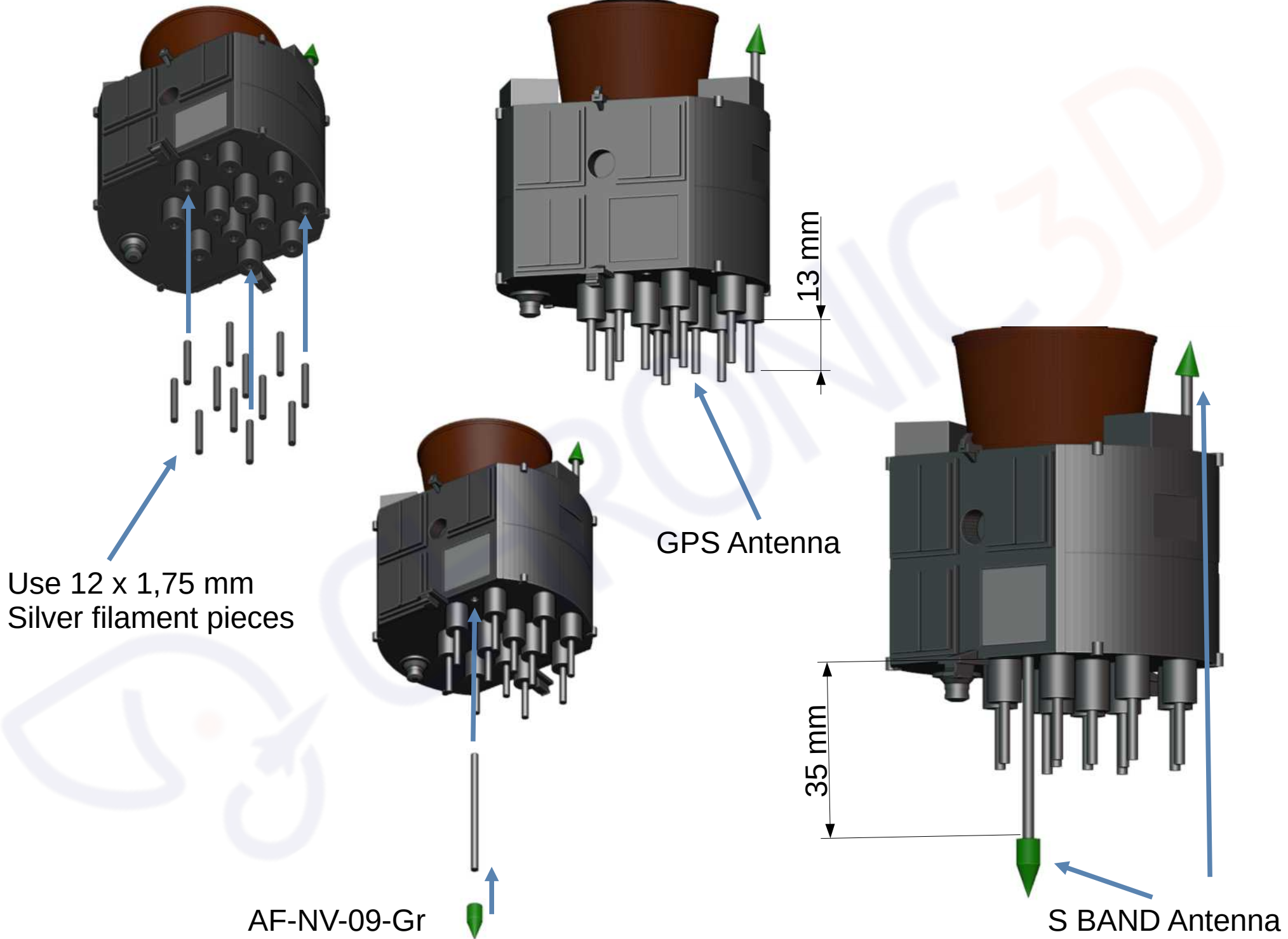
15 mm



Solar array

Motor nozzle plug

Motor shroud



Gold filament

AF-NV-10-S x2

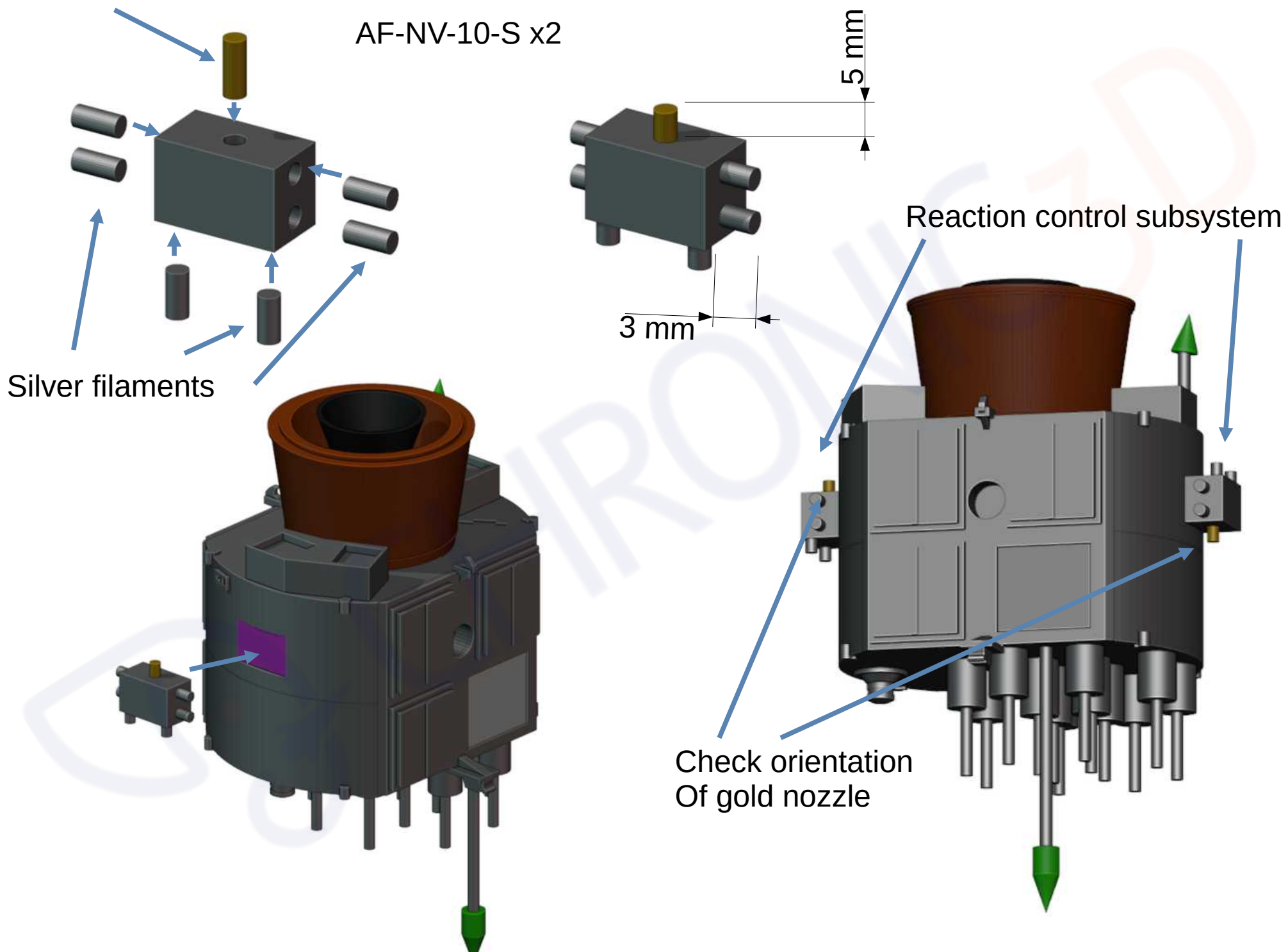
5 mm

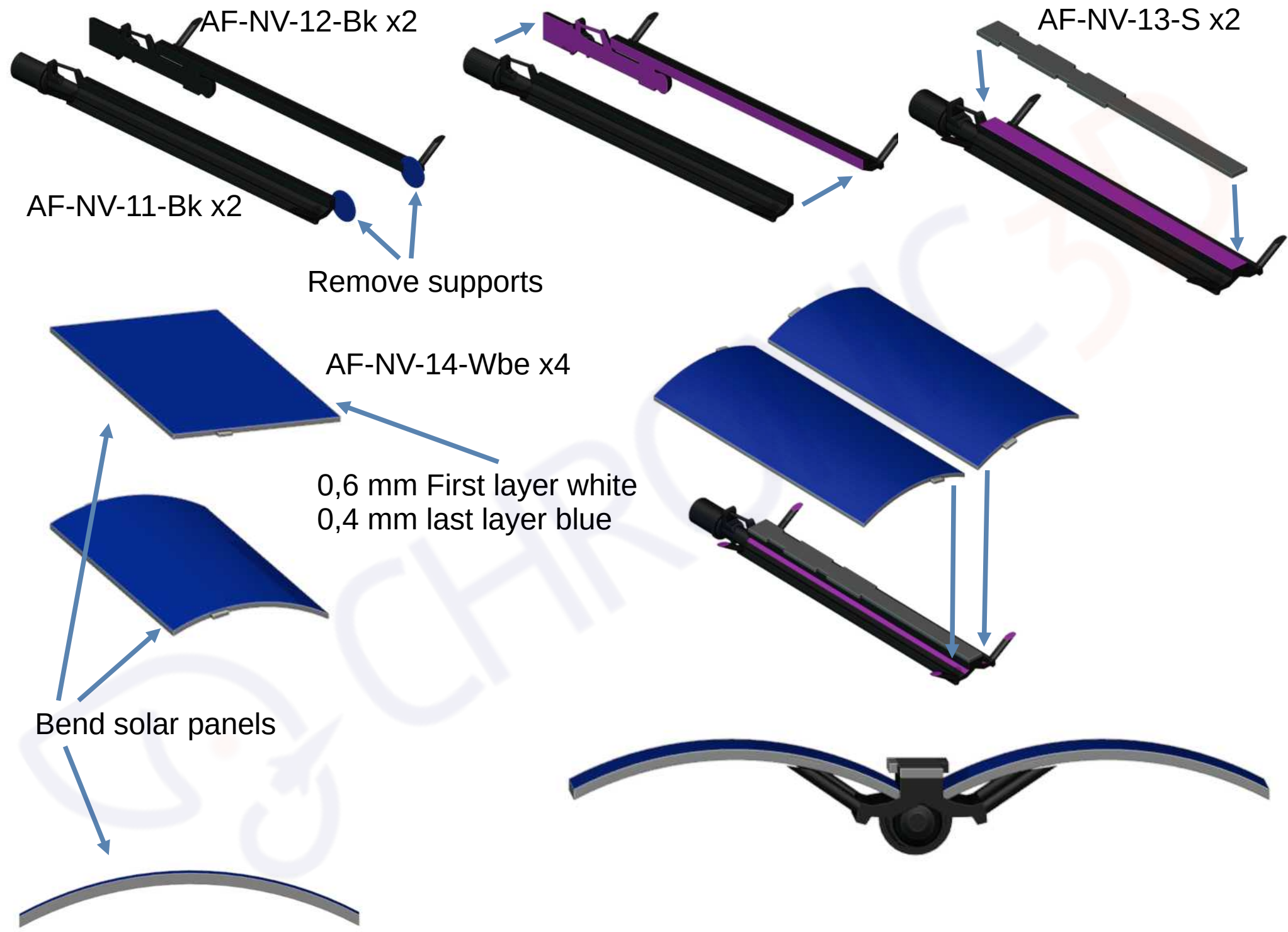
3 mm

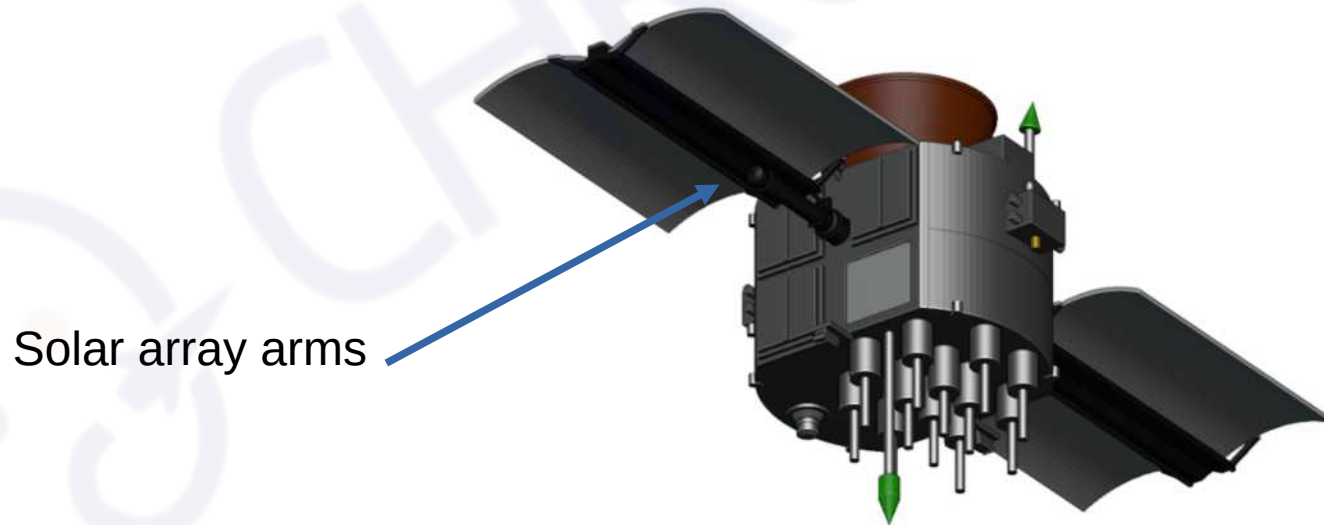
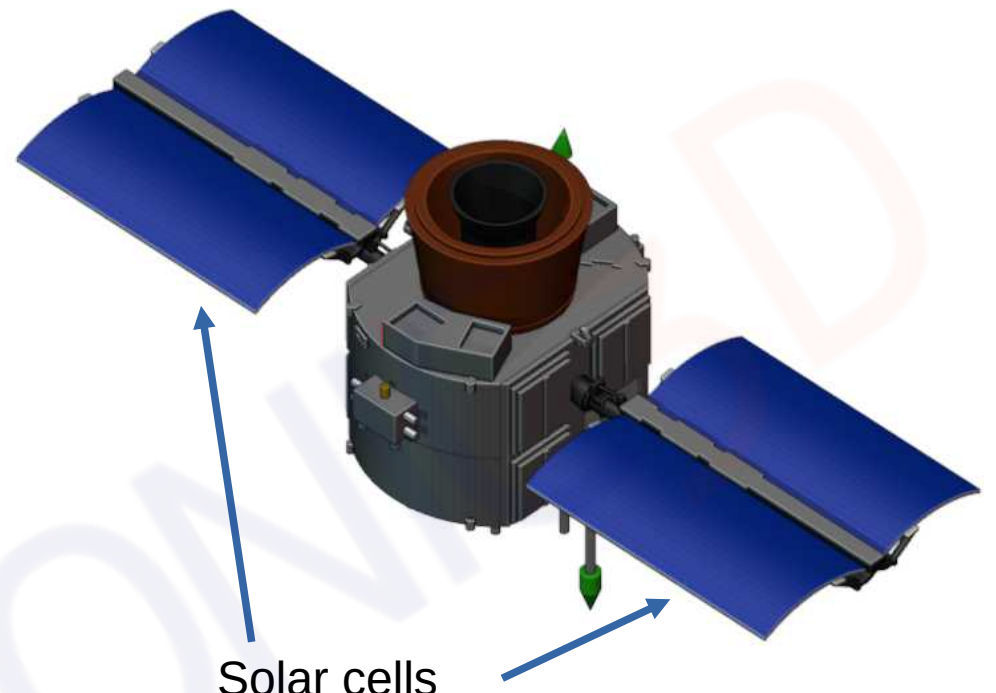
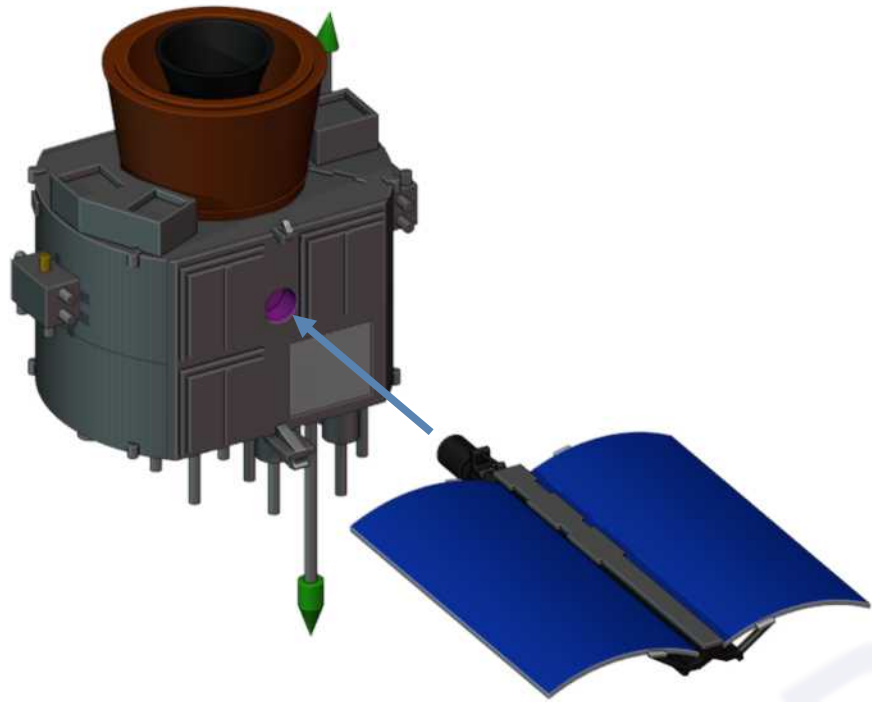
Silver filaments

Reaction control subsystem

Check orientation
Of gold nozzle

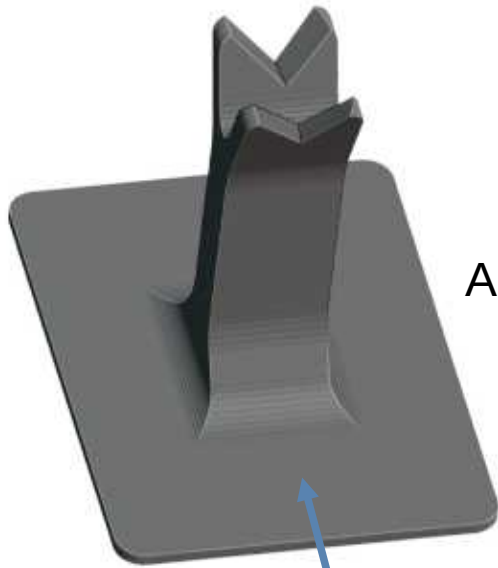






Solar cells

Solar array arms

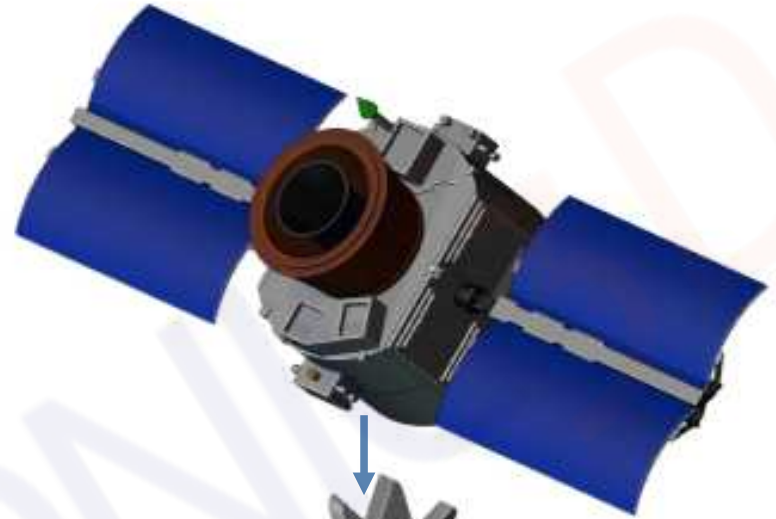
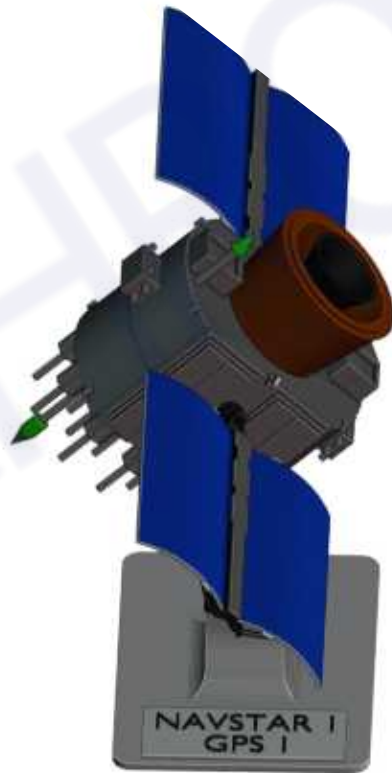


AF-NV-15-LG



AF-NV-16-Wbk

Make a color change for letters



FINISHED
NAVSTAR1-GPS1 SATELLITE



FINISHED

- ATLAS F ICBM with Platform
- ATLAS F NAVSTAR LAUNCHER
- NAVSTAR SATELLITE